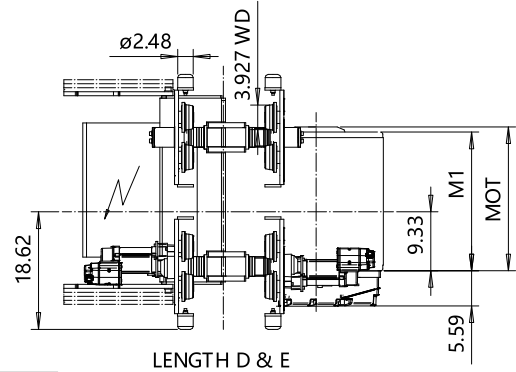
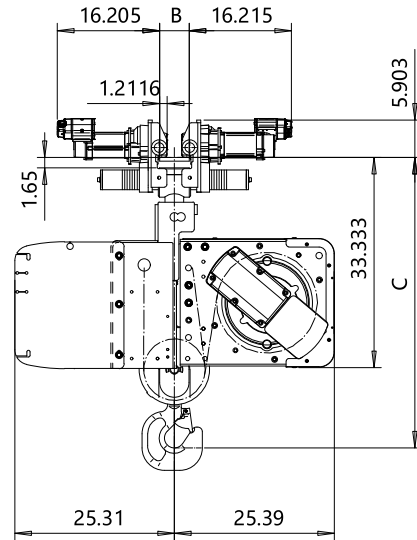
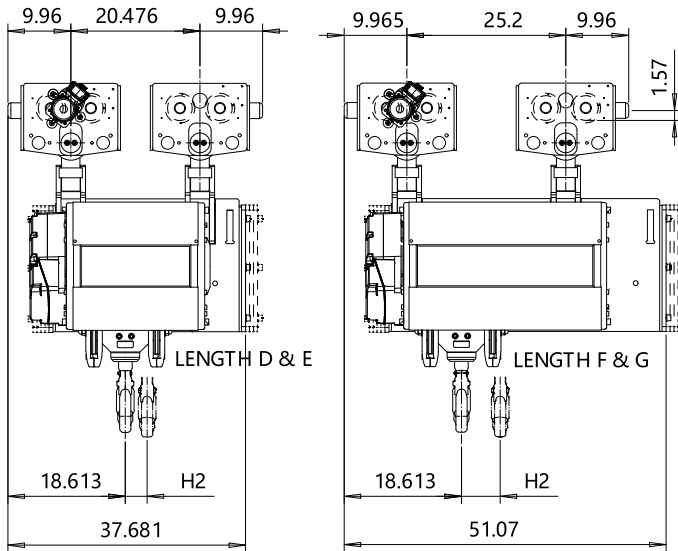


**NORMAL HEADROOM, CURVED TRACK, 4 PART SINGLE**

Hoist type:

SX5 041...N0

US-60Hz



Load (ton)	Class ASME
5	H4 +
6	H4 +
7 1/2	H4 +
10	H4

TRACK RADIUS	
Flange, B (inch)	R min
3.54 - 4.29	8'-2 7/16"
4.33 - 4.67	6'-6 3/4"
4.72 - 13.78	4'-11 1/16"

Motor	P5	P6	P7	A5	S5	S7
MOT (in)	22.76	22.76	24.33	19.61	23.86	29.8
Weight (lb)	128	187	231	99	117	179

HOL (ft)	Length code	M1 (inch)	H2 (inch)	Approx Weight (lb)
29'-6"	D	21.97	3.46	1940
39'-4"	E	26.69	4.64	2050
52'-5"	F	32.6	6.14	2205
65'-7"	G	45.55	8.03	2403

Headroom - C dimension	
Standard	46 1/2"
with HS22 Hook operated limit switch	50 13/16"

Approx. Weight calculated with P5 motor.

This document is the absolute property of R&M Materials Handling, Inc. This document must not be copied without the written permission of R&M Materials Handling, Inc. The contents thereof must not be disclosed to a third party nor be used for any unauthorized purpose. Contravention will be prosecuted.

ETTVPH Design	ETTVPH Chd	Appd	Ref Drawing	QC-N-04
2005-06-20 Date	TROLLEY; NORMAL HEADROOM			1 of 13
SLEDDOCV Owner/Dept	CURVED TRACK, 4 ROPE FALLS			For Mar
R&M MATERIALS HANDLING INC.	R&M MATERIALS HANDLING, INC. HOIST & CRANE PRODUCTS SPRINGFIELD, OHIO	D004136-A		Issue 5