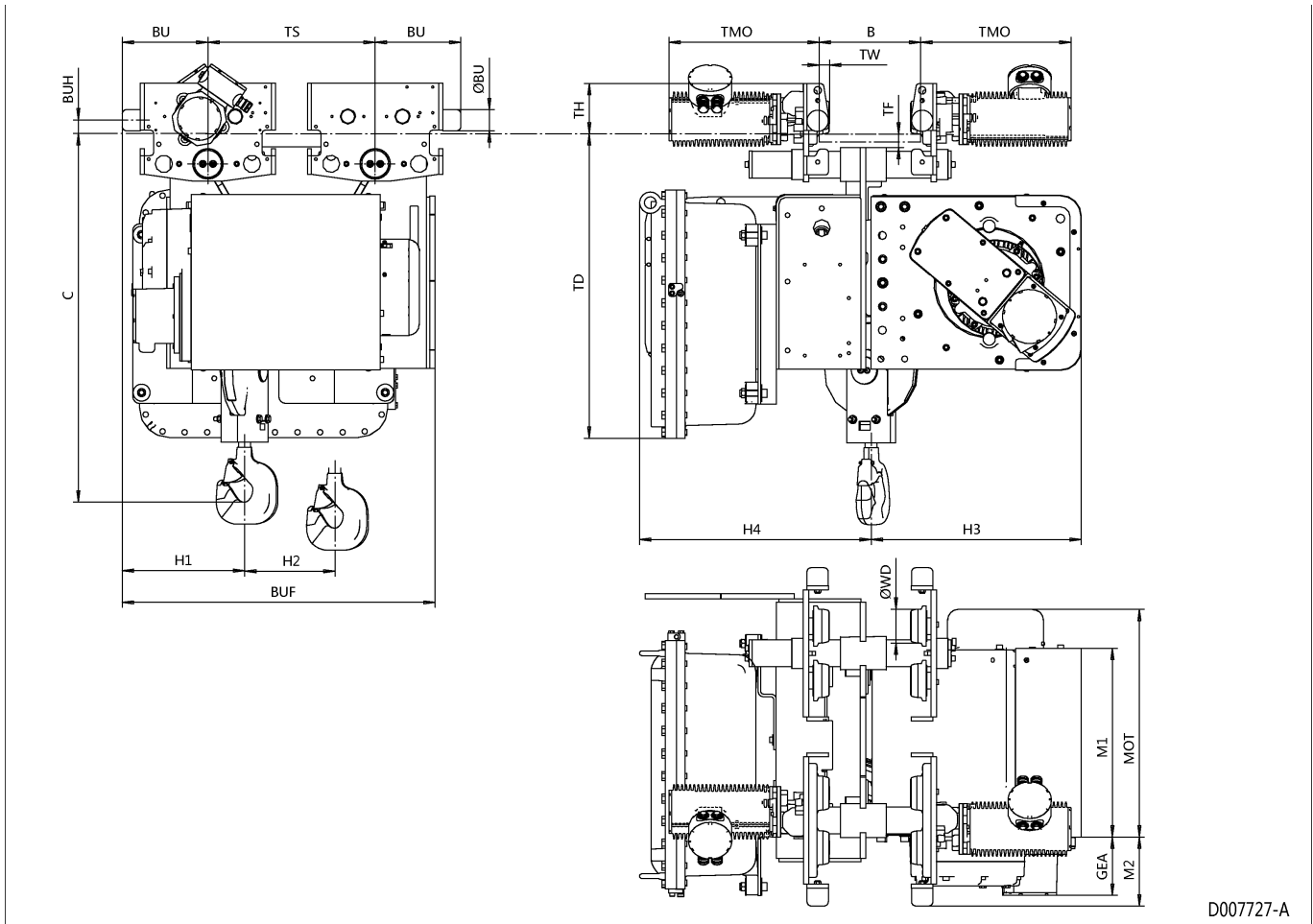


Normal Headroom Hoist EXSX5, REEVING: 021; Class I, Division 1



D007727-A

Hoist dimensions

HOL m	Length code	M1 mm	M2 mm	H1 mm	H2 mm	H3 mm	H3* mm	H4 mm	Weight kg
18	D	558	204	361	176	625	645	680	880
24	E	678	204	361	235	625	645	680	915
32	F	828	179	361	309	625	645	680	1005
40	G	1018	179	361	403	625	645	680	1050

Motor dimensions

Motor	E4	E6
MOT (mm)	673	673
Weight (kg)	145	145

Travelling dimensions

Motor	MF07E
TMO (mm)	445
Weight (kg)	13

Trolley dimensions

B min	B max	C	ØWD	ØBU	BU	BUH	GEA	TD	TF	TH	TW
120	610	1080	100	63	253	40	172	900	40	150	31

Length code	BUF	TS
D/E	924	494
F/G	1239	522