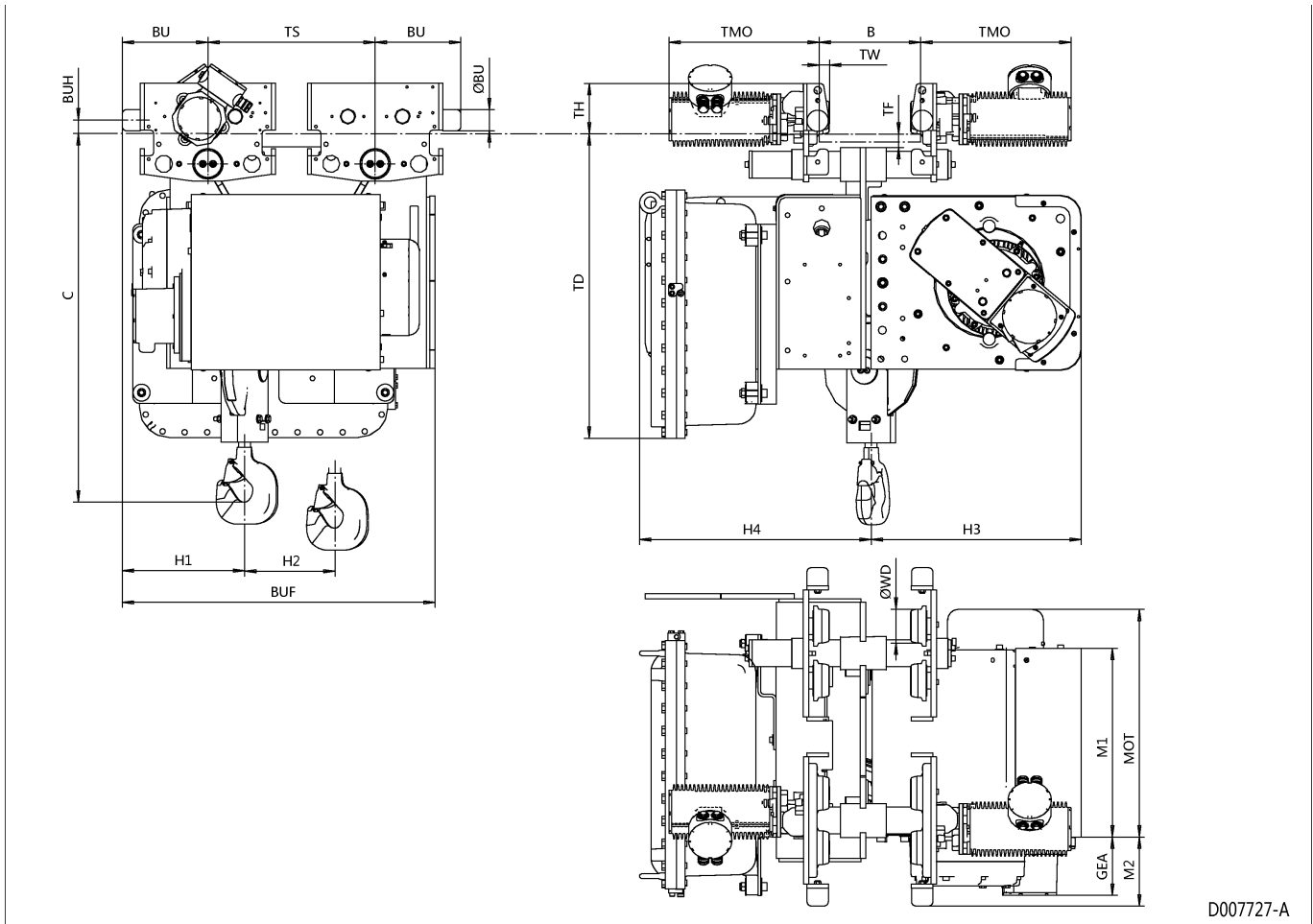


Normal Headroom Hoist EXSX5, REEVING: 021; Class I, Division 1



D00727-A

Hoist dimensions

HOL ft	Length code	M1 Inch	M2 Inch	H1 Inch	H2 Inch	H3 Inch	H3* Inch	H4 Inch	Weight lb
59'-1"	D	21.97	8.03	14.21	6.93	24.61	25.39	26.77	1940
78'-9"	E	26.69	8.03	14.21	9.25	24.61	25.39	26.77	2018
104'-12"	F	32.6	7.05	14.21	12.17	24.61	25.39	26.77	2216
131'-3"	G	40.08	7.05	14.21	15.87	24.61	25.39	26.77	2315

Motor dimensions

Motor	E4	E6
MOT (Inch)	26.5	26.5
Weight (lb)	320	320

Travelling dimensions

Motor	MF07E
TMO (Inch)	17.52
Weight (lb)	29

Trolley dimensions

B min	B max	C	ØWD	ØBU	BU	BUH	GEA	TD	TF	TH	TW
4.72	24.02	42.52	3.94	2.48	9.96	1.57	6.77	35.43	1.57	5.91	1.22

Length code	BUF	TS
D/E	36.38	19.45
F/G	48.78	20.55