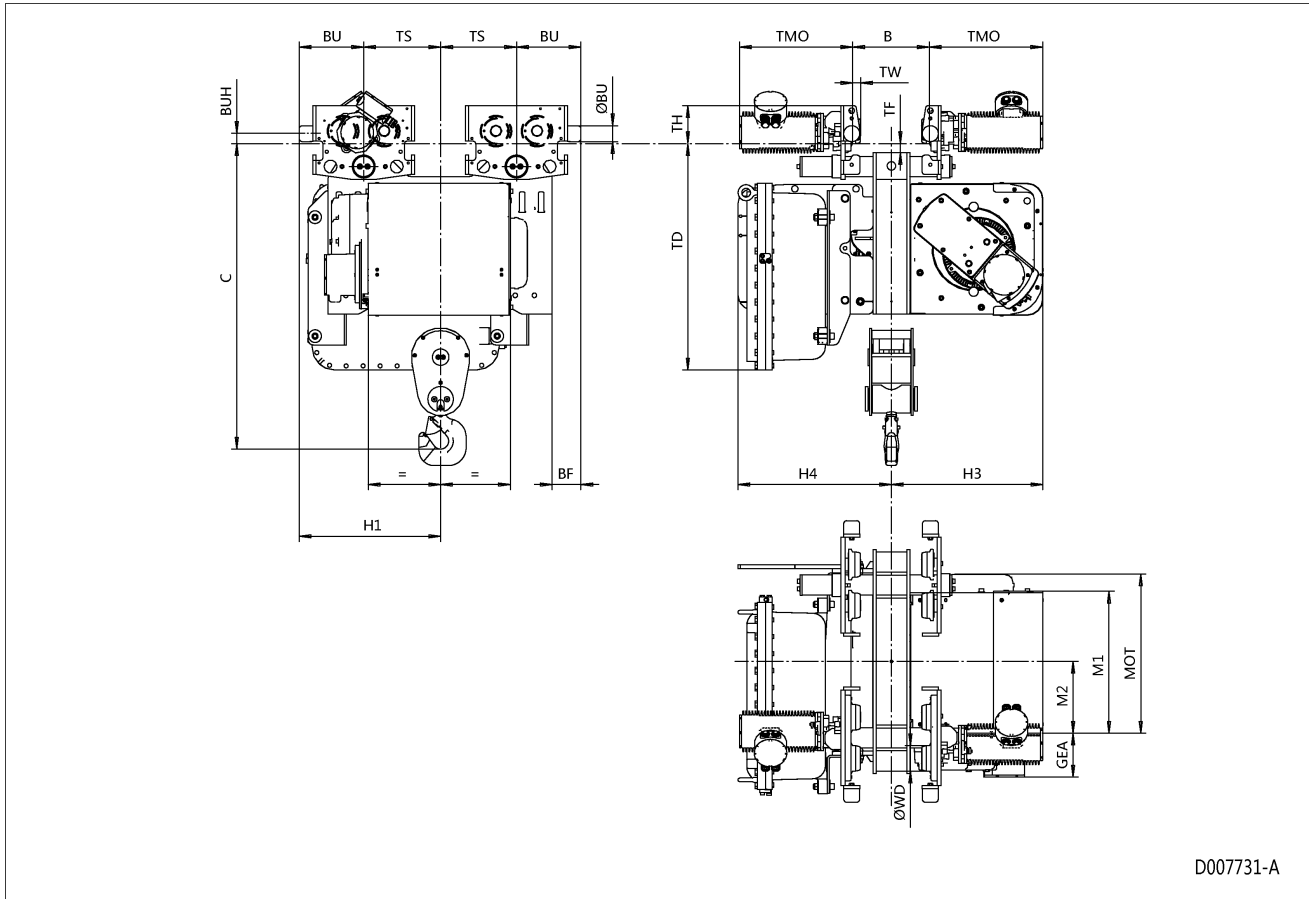


Normal Headroom Hoist EXSX5, REEVING: 022; Class I, Division 1



D007731-A

Hoist dimensions

HOL m	Length code	M1 mm	M2 mm	H1 mm	H3 mm	H3+ mm	H4 mm	Weight kg
8.5	D	558	279	553	595	615	602	1035
13	E	678	339	553	595	615	602	1065
18	F	828	414	553	595	615	602	1095
25	G	1018	509	753	595	615	602	1230
33.5	H	1268	634	753	595	615	602	1285
46	J	1618	809	753	595	615	602	1360

Motor dimensions

Motor	E4	E6
MOT (mm)	673	673
Weight (kg)	145	145

Travelling dimensions

Motor	MF07E
TMO (mm)	445
Weight (kg)	13

Trolley dimensions

B min	B max	C	ØBU	ØWD	BU	BUH	GEA	TD	TF	TH	TW
90	610	1200	63	100	253	40	172	890	35	150	33

Trolley dimensions

Length code	BF	TS
D/E/F	113	300
G/H/I/J	-77	500