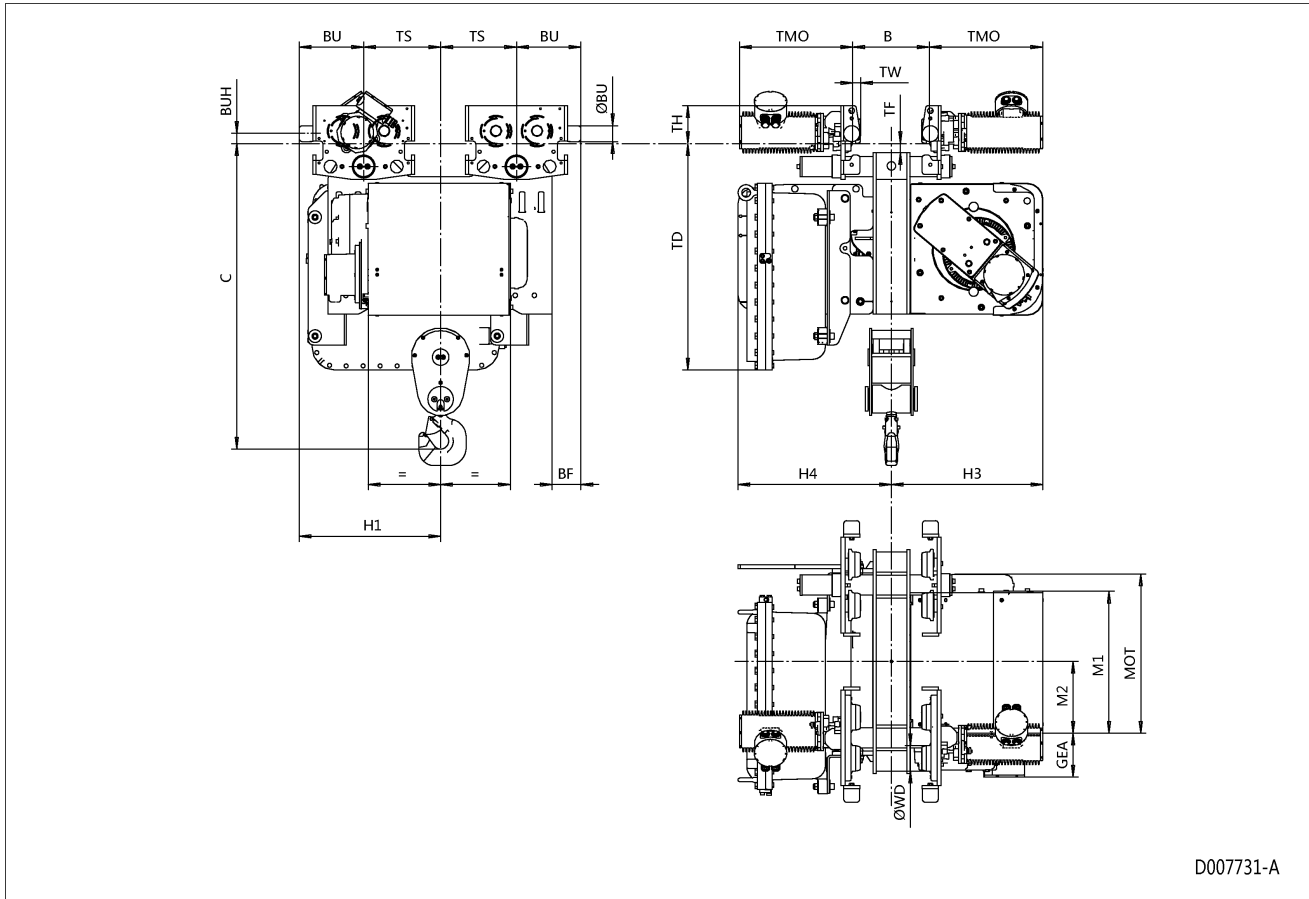


Normal Headroom Hoist EXSX5, REEVING: 022; Class I, Division 1



D007731-A

Hoist dimensions

HOL ft.	Length code	M1 Inch	M2 Inch	H1 Inch	H3 Inch	H3* Inch	H4 Inch	Weight lb
27'-11"	D	21.97	10.98	21.77	23.43	24.21	23.7	2282
42'-8"	E	26.69	13.35	21.77	23.43	24.21	23.7	2348
59'-1"	F	32.6	16.3	21.77	23.43	24.21	23.7	2414
82'-0"	G	40.08	20.04	29.65	23.43	24.21	23.7	2712
109'-11"	H	49.92	24.96	29.65	23.43	24.21	23.7	2833
150'-11"	J	63.7	31.85	29.65	23.43	24.21	23.7	2999

Motor dimensions

Motor	E4	E8
MOT (Inch)	26.5	26.5
Weight (lb)	320	320

Travelling dimensions

Motor	MF07E
TMO (Inch)	17.52
Weight (lb)	29

Trolley dimensions

B min	B max	C	ØBU	ØWD	BU	BUH	GEA	TD	TF	TH	TW
3.54	24.02	47.24	2.48	3.94	9.96	1.57	6.77	35.04	1.38	5.91	1.3

Trolley dimensions

Length code	BF	TS
D/E/F	4.45	11.81
G/H/J	-3.03	19.69