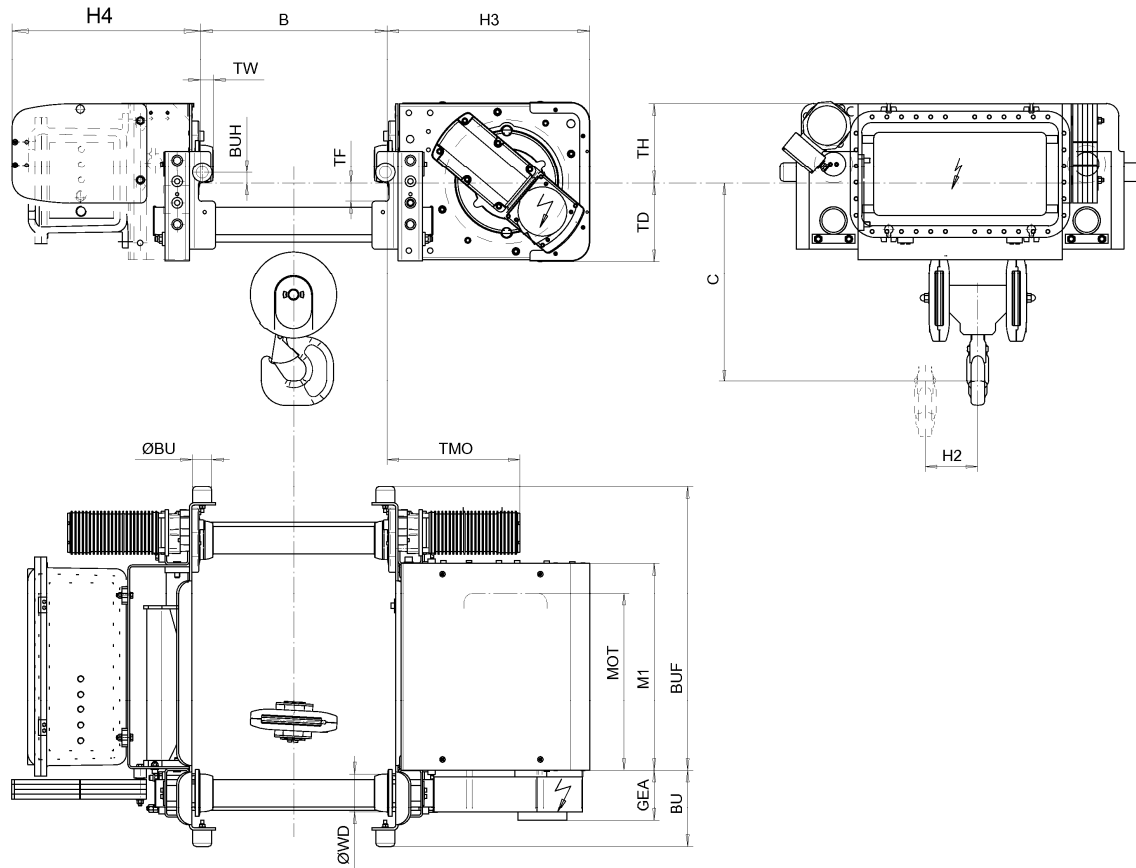


Low Headroom Hoist EXSX5, REEVING: 041 Class I, Division 2



D007591-A

Hoist dimensions

HOL ft	Length code	M1 inch	H1 inch	H2 inch	H3 inch	H3* inch	H4 inch	BUF inch	Weight lb
39'-4"	E	26.69	20.91	4.65	26.1	26.89	24.29	36.54	2048
52'-6"	F	32.6	20.91	6.14	26.1	26.89	24.29	42.44	2205

Motor dimensions

Motor	P5	P6
MOT (inch)	22.76	22.76
Weight (lb)	128	187

Trolley dimensions

B min.	B max.	ØBU	ØWD	BU	BUH	GEA	TD	TF	TH	TMO	TW
3.94	24.02	2.48	4.92	9.84	1.38	6.5	10.08	2.32	10.55	17.13	1.63

D007591-A
252133

C-dimensions

B	C
3.94 - 7.83	25.98
7.87 - 11.38	24.8
11.42 - 20.87	23.62
20.91 - 24.02	25.59

Note: Weight calculated with P5 motor when B=24.0 inch.

Note: All dimensions in inch.

* Please, disregard the dimension H3*.