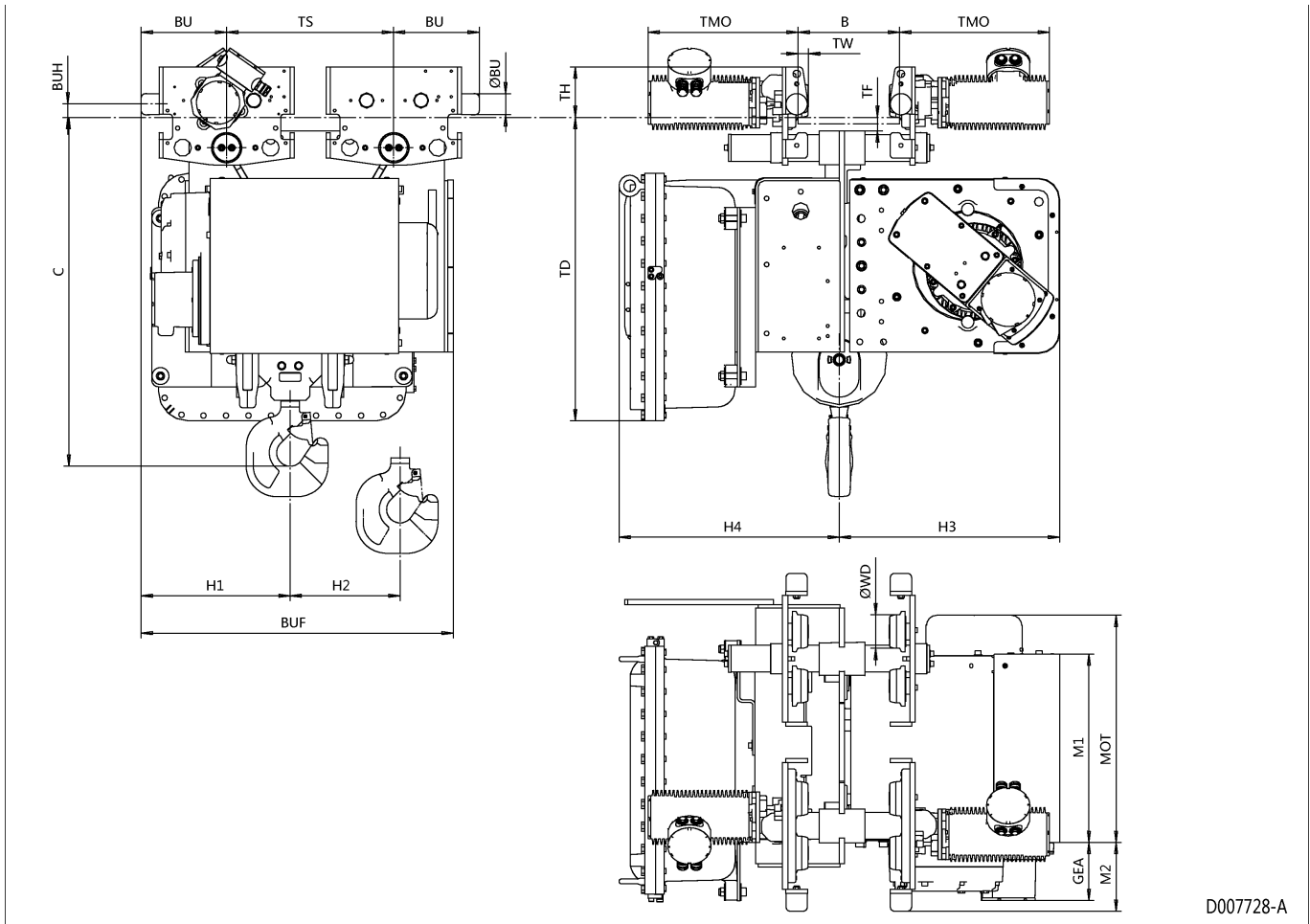


Normal Headroom Hoist EXSX5, REEVING: 041; Class I, Division 1



D007728-A

**Hoist dimensions**

HOL ft	Length code	M1 Inch	M2 Inch	H1 Inch	H2 Inch	H3 Inch	H3* Inch	H4 Inch	Weight lb
29'-6"	D	21.97	8.03	17.17	3.46	25.55	26.34	25.83	2381
39'-4"	E	26.69	8.03	17.17	4.65	25.55	26.34	25.83	2470
52'-6"	F	32.6	7.05	17.17	6.14	25.55	26.34	25.83	2668
65'-7"	G	40.08	7.05	17.17	8.03	25.55	26.34	25.83	2778

**Motor dimensions**

Motor	E4	E8
MOT (Inch)	26.5	26.5
Weight ( lb)	320	320

**Travelling dimensions**

Motor	MF07E
TMO (Inch)	17.52
Weight (lb)	29

**Trolley dimensions**

B min	B max	C	ØWD	ØBU	BU	BUH	GEA	TD	TF	TH	TW
3.15	24.02	40.31	3.94	2.48	9.96	1.57	6.77	35.43	1.57	5.91	1.22

Length code	BUF	T8
D/E	36.38	19.45
F/G	48.78	20.55