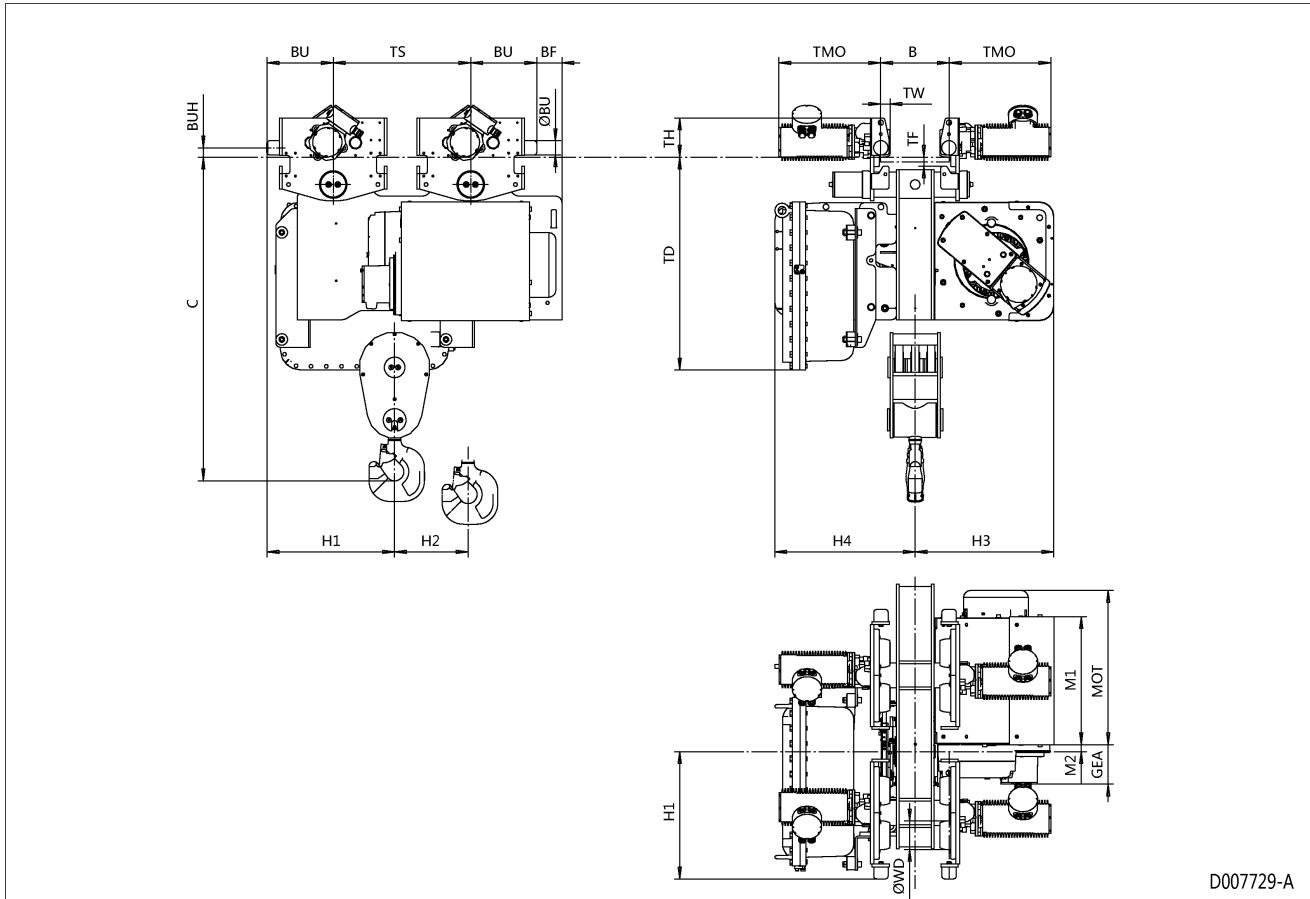


Normal Headroom Hoist EXSX5, REEVING: 061; Class I, Division 1



D007729-A

Hoist dimensions

HOL m	Length code	M1 mm	M2 mm	H1 mm	H2 mm	H3 mm	H3* mm	H4 mm	Weight kg
6	D	558	33	556	53	605	625	612	1290
8	E	678	33	556	78	605	625	612	1320
10	F	828	33	596	98	605	625	612	1390
13	G	1018	33	596	132	605	625	612	1435

Motor dimensions

Motor	E4	E8
MOT (mm)	673	673
Weight (kg)	145	145

Travelling dimensions

Motor	MF07E
TMO (mm)	445
Weight (kg)	13

Trolley dimensions

B min	B max	C	ØWD	ØBU	BU	BUH	GEA	TF	TD	TH	TW
110	610	1413	125	63	288	40	172	39	930	170	41.5

Trolley dimensions

Length code	BF	TS
D/E	110	600
F/G	370	720