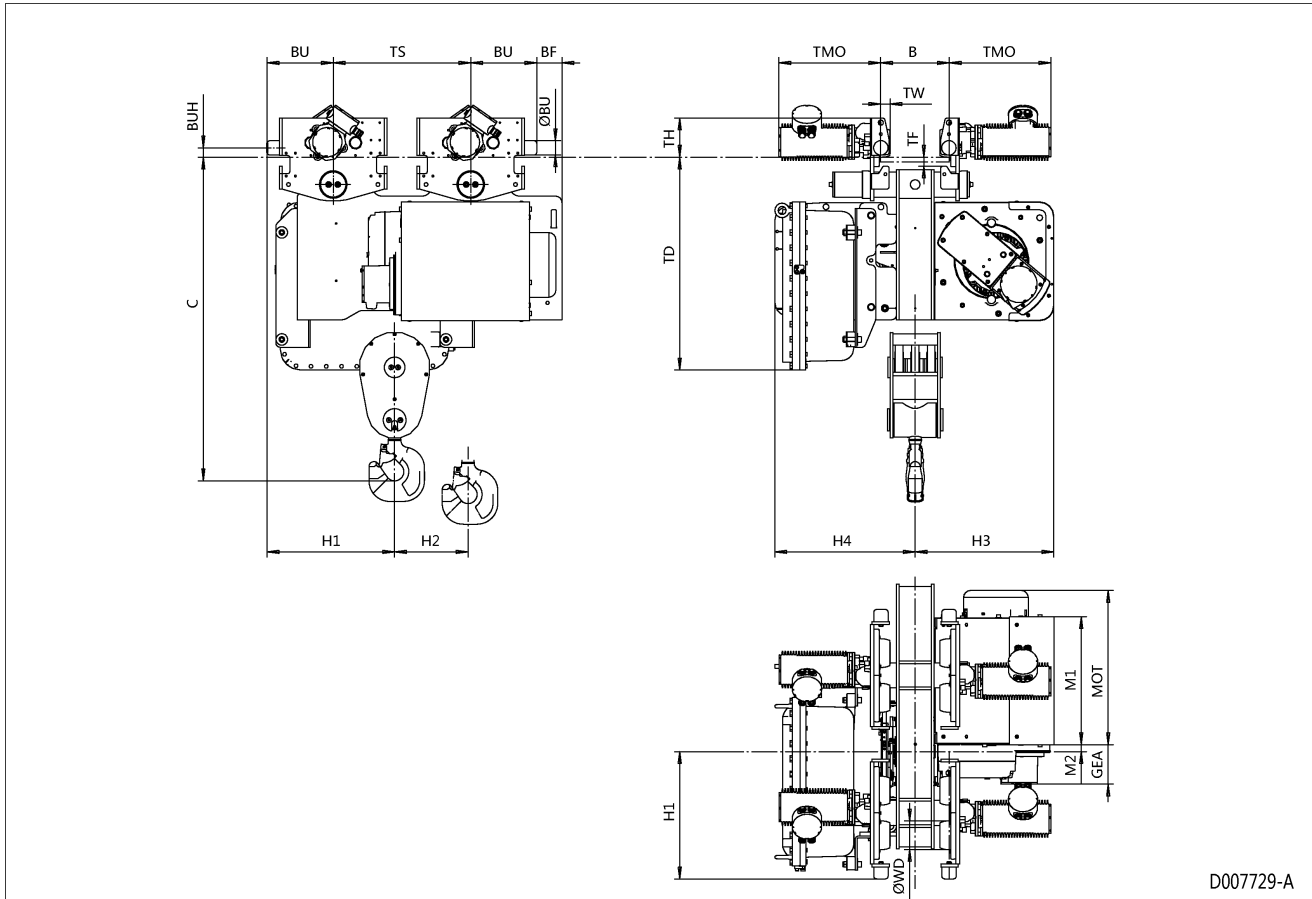


Normal Headroom Hoist EXSX5, REEVING: 061; Class I, Division 1



D007729-A

Hoist dimensions

HOL ft	Length code	M1 Inch	M2 Inch	H1 Inch	H2 Inch	H3 Inch	H3* Inch	H4 Inch	Weight lb
19'-8"	D	21.97	1.3	21.89	2.09	23.82	24.61	24.09	2844
26'-3"	E	26.69	1.3	21.89	3.07	23.82	24.61	24.09	2911
32'-10"	F	32.6	1.3	23.46	3.86	23.82	24.61	24.09	3065
42'-8"	G	40.08	1.3	23.46	5.2	23.82	24.61	24.09	3164

Motor dimensions

Motor	E4	E6
MOT (Inch)	26.5	26.5
Weight (lb)	320	320

Travelling dimensions

Motor	MF07E
TMO (Inch)	17.52
Weight (lb)	29

Trolley dimensions

B min	B max	C	ØWD	ØBU	BU	BUH	GEA	TF	TD	TH	TW
4.33	24.02	55.63	4.92	2.48	11.34	1.57	6.77	1.54	36.61	6.69	1.63

Trolley dimensions

Length code	BF	TS
D/E	4.33	23.62
F/G	14.57	28.35