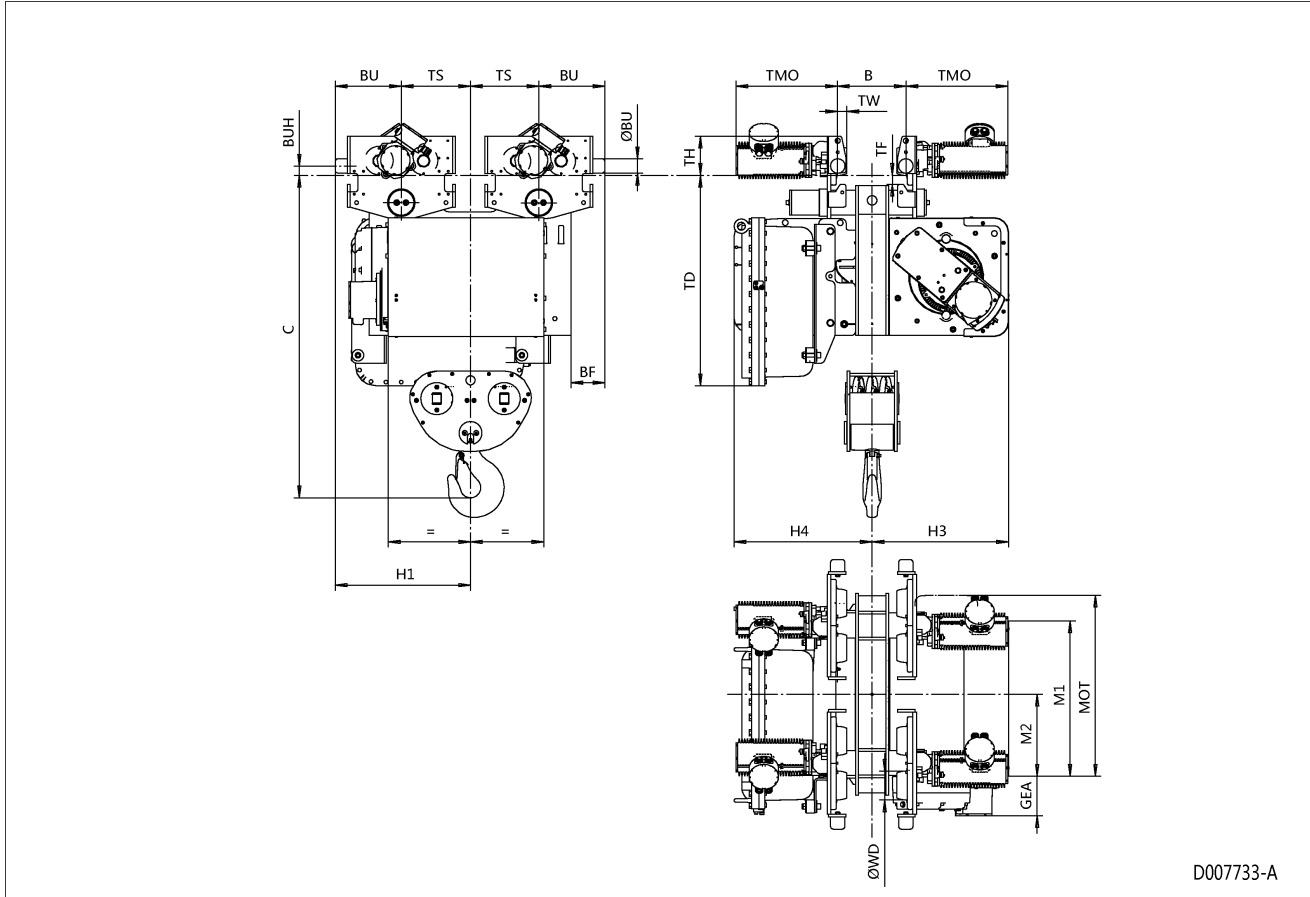


Normal Headroom Hoist EXSX5, REEVING: 062; Class I, Division 1



Hoist dimensions

HOL m	Length code	M1 mm	M2 mm	H1 mm	H3 mm	H3* mm	H4 mm	Weight kg
4	E	678	339	588	595	615	602	1340
6	F	828	414	588	595	615	602	1375
8	G	1018	509	788	595	615	602	1550
11	H	1268	634	788	595	615	602	1600
15	J	1618	809	788	595	615	602	1680

Motor dimensions

Motor	E4	E6
MOT (mm)	673	673
Weight (kg)	145	145

Traveling dimensions

Motor	MF07E
TMO (mm)	443
Weight (kg)	13

Trolley dimensions

B min	B max	C	ØBU	ØWD	BU	BUH	GEA	TD	TF	TH	TW
100	610	1408	63	125	288	40	172	920	39	170	41.5

Trolley dimensions

Length code	BF	TS
E/F	148	300
G/H/J	-42	500