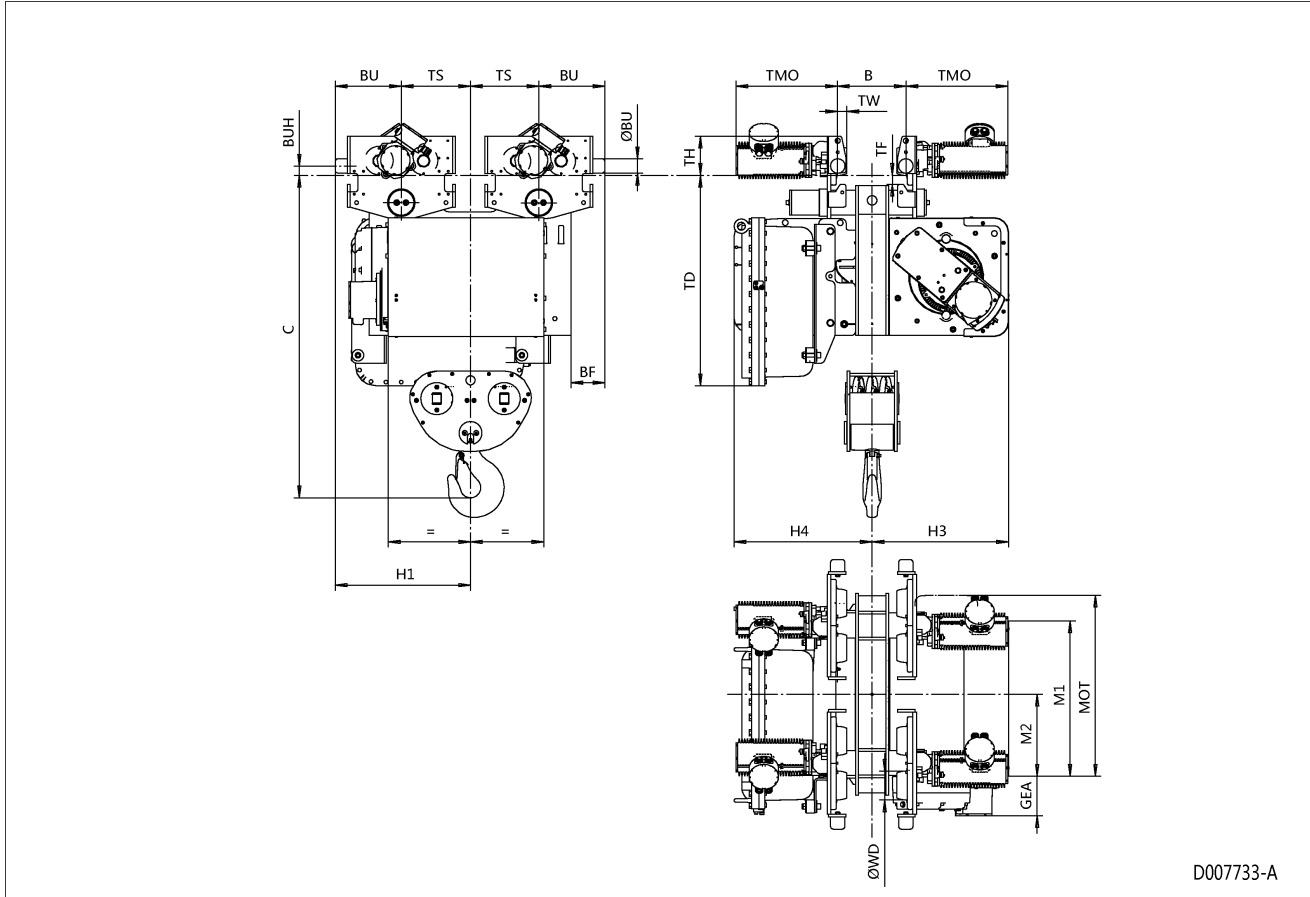


Normal Headroom Hoist EXSX5, REEVING: 062; Class I, Division 1



D007733-A

Hoist dimensions

HOL ft	Length code	M1 Inch	M2 Inch	H1 Inch	H3 Inch	H3+ Inch	H4 Inch	Weight lb
13'-1"	E	26.69	13.35	23.15	23.43	24.21	23.7	2955
19'-8"	F	32.6	16.3	23.15	23.43	24.21	23.7	3032
26'-3"	G	40.08	20.04	31.02	23.43	24.21	23.7	3418
36'-1"	H	49.92	24.96	31.02	23.43	24.21	23.7	3528
49'-3"	J	63.7	31.85	31.02	23.43	24.21	23.7	3704

Motor dimensions

Motor	E4	E8
MOT (Inch)	26.5	26.5
Weight (lb)	320	320

Travelling dimensions

Motor	MF07E
TMO (Inch)	17.44
Weight (lb)	29

Trolley dimensions

B min	B max	C	ØBU	ØWD	BU	BUH	GEA	TD	TF	TH	TW
3.94	24.02	55.43	2.48	4.92	11.34	1.57	6.77	36.22	1.54	6.69	1.63

Trolley dimensions

Length code	BF	T8
E/F	5.83	11.81
G/H/J	-1.65	19.69