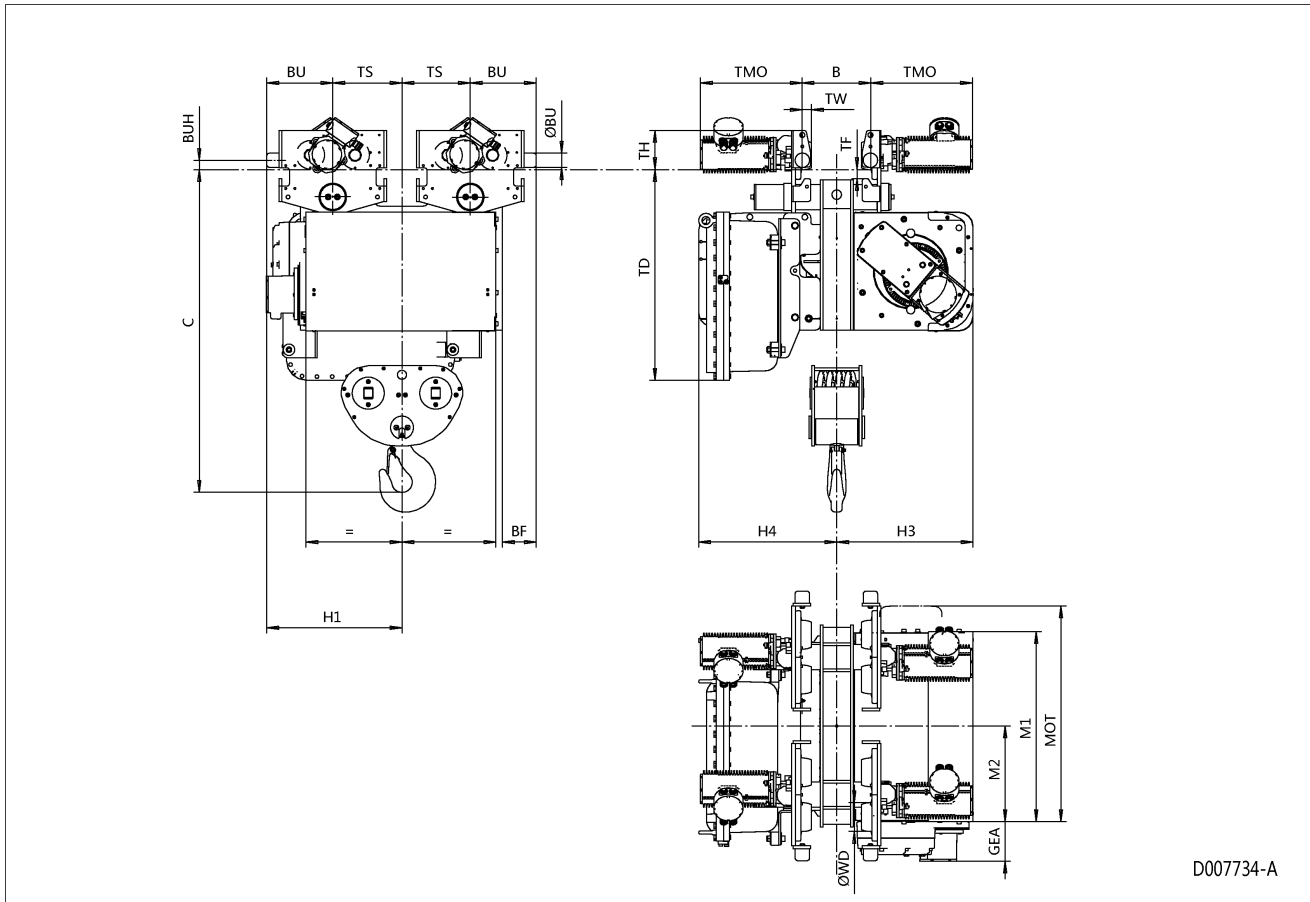


Normal Headroom Hoist EXSX5, REEVING: 082; Class I, Division 1



**Hoist dimensions**

HOL m	Length code	M1 mm	M2 mm	H1 mm	H3 mm	H3* mm	H4 mm	Weight kg
4.5	F	828	414	588	595	615	602	1380
6	G	1018	509	788	595	615	602	1555
8	H	1268	634	788	595	615	602	1610
11.5	J	1618	809	788	595	615	602	1690

**Motor dimensions**

Motor	E4	E6
MOT (mm)	673	673
Weight (kg)	145	145

**Travelling dimensions**

Motor	MF07E
TMO (mm)	443
Weight (kg)	13

**Trolley dimensions**

B min	B max	C	ØBU	ØWD	BU	BUH	GEA	TD	TF	TH	TW
100	610	1408	63	125	288	40	172	920	39	170	41.5

**Trolley dimensions**

Length code	BF	TS
F	148	300
G/H/J	42	500