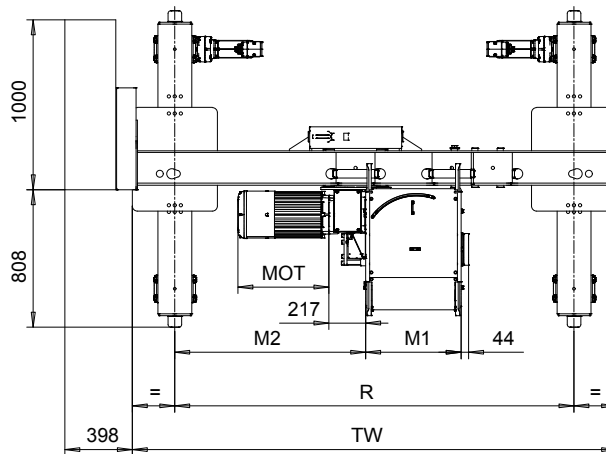
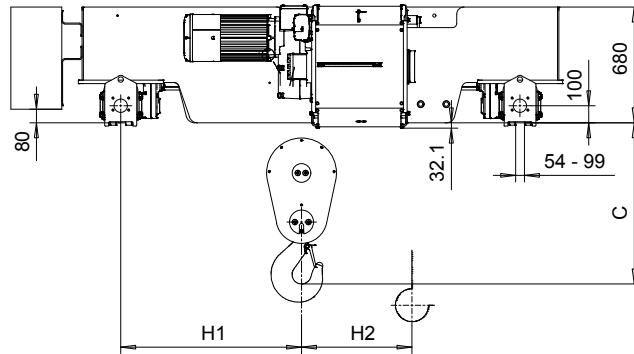
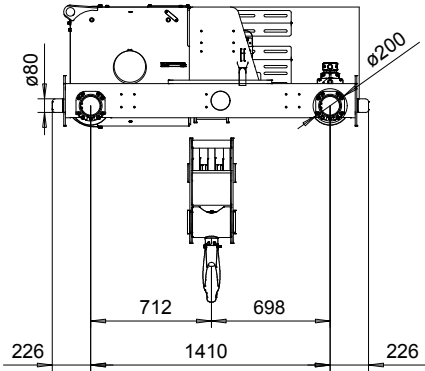


DOUBLE GIRDER, ADJUSTABLE LOAD BEAM, 6 PART SINGLE

SI-50Hz

Hoist type:
SX6 061...D0



HOL (m)	HOL* (m)	Length code	M1 (mm)	M2 (mm)	H1 (mm)	H2 (mm)	TW (mm)	Min R (mm)	Max R (mm)	Approx Weight (kg)
7	5	D	562	799	739	63	2550	1700	2400	1650
9	7	E	682	799	739	84	2550	1700	2400	1700
9	7	E	682	799	889	84	2850	2000	2700	1750
12	10	F	832	949	889	107	2850	2000	2700	1800

HOL* with optional drum brake Weight of drum brake is 80 kg.

Motor	P6	P7	P8	A7	S7	S8	SA
MOT (mm)	536	576	711	536	715	763	803
Weight (kg)	85	105	106	71	81	97	120

Load (kg)	Class Fem/ISO
20000	3m/M6
25000	2m/M5
30000	1Am/M4

Headroom - C dimension	
Standard	949 mm
with HS22 Hook operated limit switch	999 mm

Special rail gauges from Min R to Max R

H1 and M2 are listed at Min R.

Hoist weight calculated at Min R, with P6 motor, without drum brake.

This document is the absolute property of R&M Materials Handling, Inc. This document must not be copied without the written permission of R&M Materials Handling, Inc. The contents thereof must not be disclosed to a third party nor be used for any unauthorized purpose. Contravention will be prosecuted.

ETTPAL Design	ETTPAL Chd	Appd	Ref Drawing	QD-ALB-06
2016-05-12			TROLLEY; DOUBLE GIRDER	1:19
SLEODOCV			ADJUSTABLE LOAD BEAM, 6 ROPE FALLS	Folder
R&M MATERIALS HANDLING INC.	R&M MATERIALS HANDLING, INC. HOIST & CRANE PRODUCTS SPRINGFIELD, OHIO		D53748697vxp1_1	Issue 1