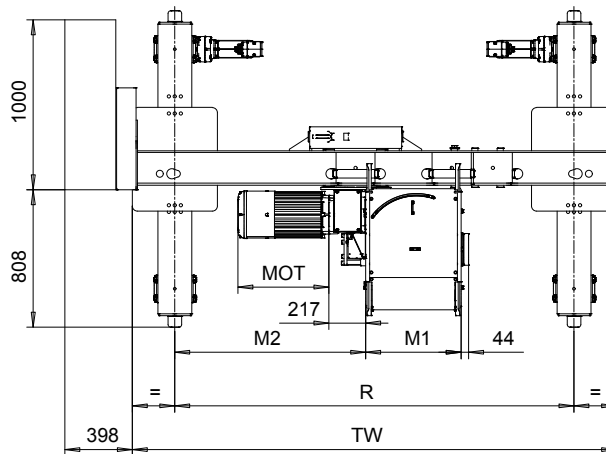
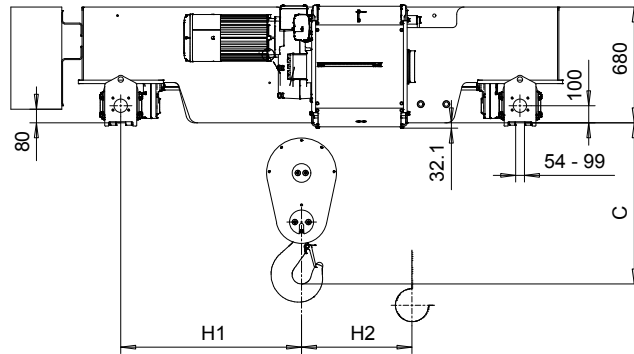
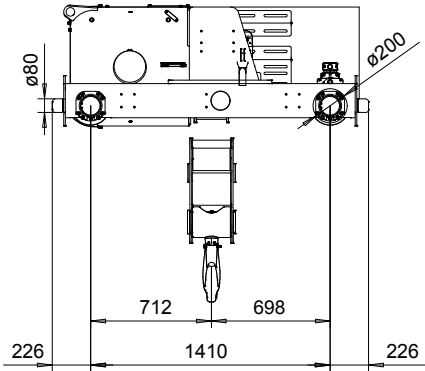


DOUBLE GIRDER, ADJUSTABLE LOAD BEAM, 8 PART SINGLE

SI-60Hz

Hoist type:
SX6 081...D0



HOL	HOL*	Length	M1	M2	H1	H2	TW	Min R	Max R	Approx Weight
(m)	(m)	code	(mm)	(mm)	(mm)	(mm)	(mm)	(mm)	(mm)	(kg)
7	5.5	E	682	799	739	63	2550	1700	2400	1700
7	5.5	E	682	799	889	63	2850	2000	2700	1750
9	7.5	F	832	949	889	81	2850	2000	2700	1800

HOL* with optional drum brake Weight of drum brake is 80 kg.

Motor	P6	P7	P8	A7	S7	S8	SA
MOT (mm)	536	576	711	536	715	763	803
Weight (kg)	85	105	106	71	81	97	120

Headroom - C dimension	
Standard	1105 mm
with HS22 Hook operated limit switch	1155 mm

Load	Class
(kg)	Fem/ISO
32000	2m/M5
40000	1Am/M4

Special rail gauges from Min R to Max R

H1 and M2 are listed at Min R.

Hoist weight calculated at Min R, with P6 motor, without drum brake.

This document is the absolute property of R&M Materials Handling, Inc. This document must not be copied without the written permission of R&M Materials Handling, Inc. The contents thereof must not be disclosed to a third party nor be used for any unauthorized purpose. Contravention will be prosecuted.

ETTPAL	ETTPAL	Appd	Ref Drawing	QD-ALB-08
Design	Chd			
2016-05-12			TROLLEY; DOUBLE GIRDER	1:19
SLEODOCV			ADJUSTABLE LOAD BEAM, 8 ROPE FALLS	Folder
Owner Dept				Issue
R&M MATERIALS HANDLING INC.	R&M MATERIALS HANDLING, INC. HOIST & CRANE PRODUCTS SPRINGFIELD, OHIO		D53752257vxp1_1	1