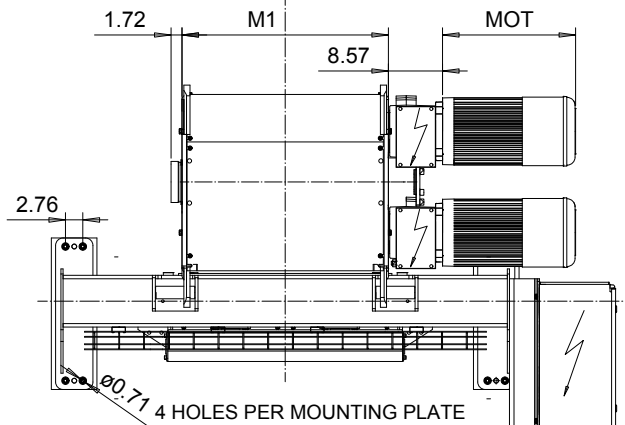
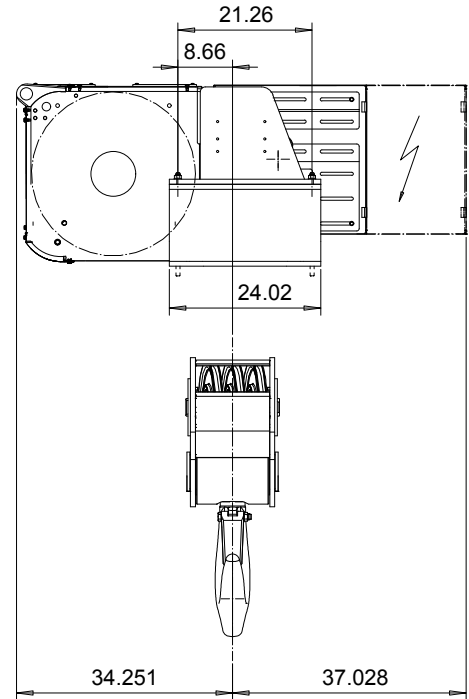
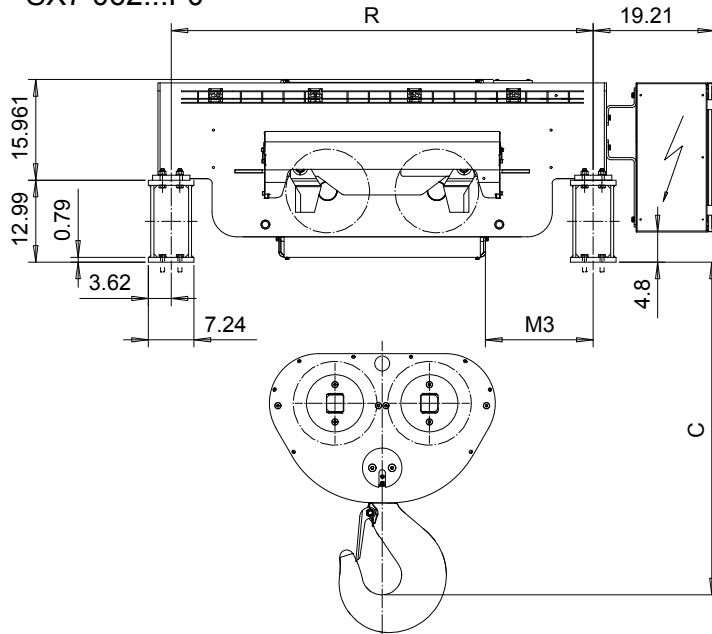


FOOT MOUNT, 6 PART DOUBLE

Hoist type:

SX7 062...F0

US-60Hz



HOL (ft)	HOL* (ft)	Length code	R (inch)	M1 (inch)	M3 (inch)	Approx Weight (lb)
16'-4"	8'-2"	F	66.93	32.76	17.09	3527
21'-3"	13'-1"	G	66.93	40.24	13.35	3748
29'-6"	21'-4"	H	94.5	50.07	22.2	4189
41'-0"	32'-10"	J	94.5	63.85	15.3	4409
49'-2"	41'-0"	K	122.05	75.66	13.3	5291
60'-8"	52'-6"	L	122.06	89.44	16.3	5732
67'-3"	59'-1"	M	149.61	99.29	33.1	6614
77'-1"	68'-11"	N	149.61	111.10	27.2	6834

HOL* with optional drum brake Weight of drum brake is 176 lb.

Motor	P6	P7	P8	A7	S7	S8	SA
MOT (in)	21.1	22.7	28	21.1	28.1	30	31.6
Weight (lb)	187	231	234	157	179	214	265

Load (TON)	Class ASME
40	H4+
50	H4
60	H3

Headroom - C dimension	
Standard	52.8"
with HS22 Hook operated limit switch	54.8"

Hoist weight calculated with P6 motor weight and without drum brake.

This document is the absolute property of R&M Materials Handling, Inc. This document must not be copied without the written permission of R&M Materials Handling, Inc. The contents thereof must not be disclosed to a third party nor be used for any unauthorized purpose. Contravention will be prosecuted.

ETTPAL Design	ETTPAL Chd	Appd	Ref Drawing	QE-F-26
2003-01-13 Date	HOIST; FIXED			
SLEODOCV Owner Dept	2X6 ROPE FALLS			
R&M MATERIALS HANDLING INC.	R&M MATERIALS HANDLING INC. HOIST & CRANE PRODUCTS SPRINGFIELD, OHIO	D006946-A		
				1:13 Folder
				Issue 1/2018