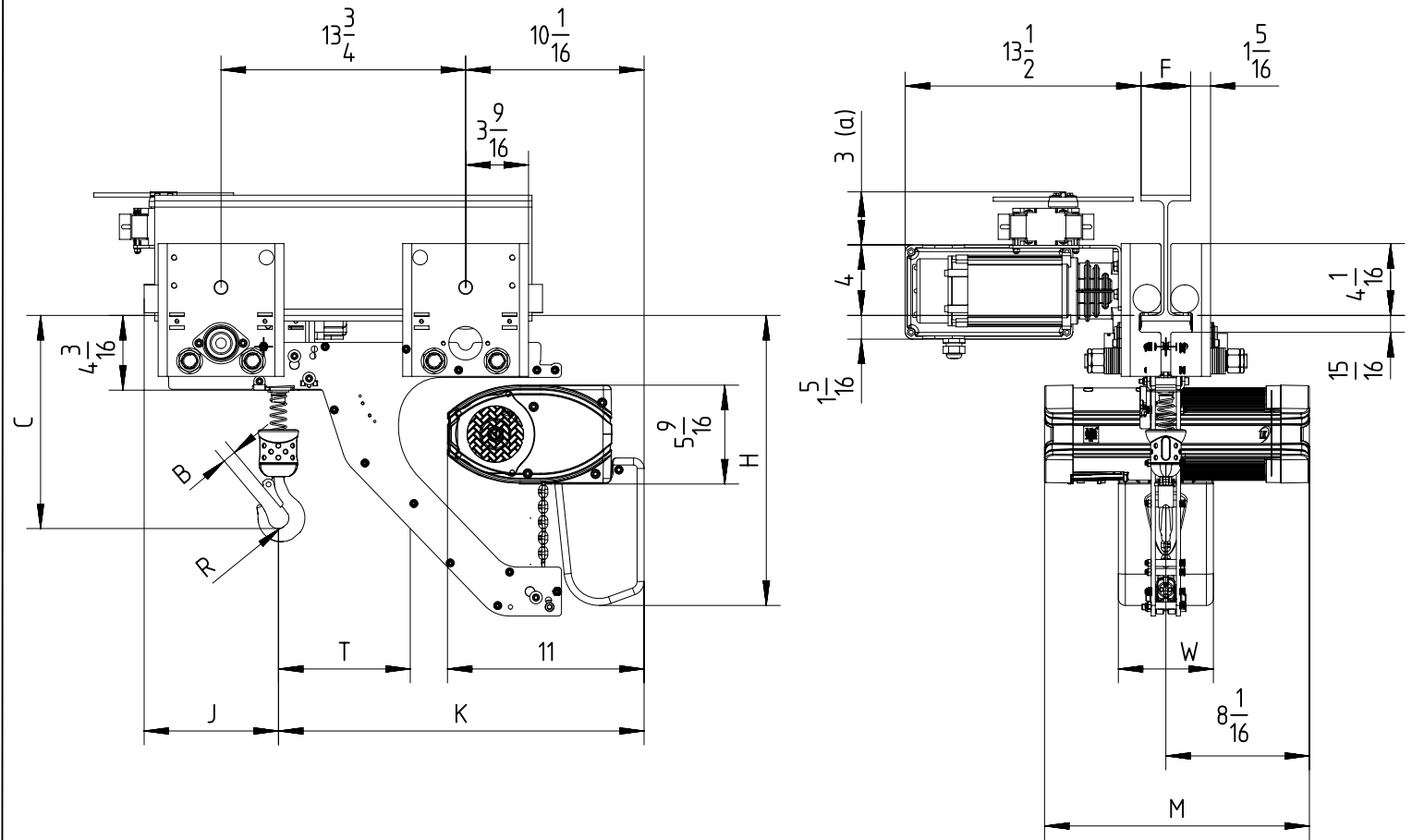


Fixed to electric travel trolley max 0.25 TON (perpendicular version)



$$2\frac{11}{12} < F < 12\frac{3}{16}$$

(a) Note: Trolley limit switch is optional.

Chain Size (mm)	Max load (TON)	Falls	Chain bag capacity (ft)	Dimensions (inch)										Weight of chain (lb/ft)	Estimated weight of hoist incl. trolley w/o chain (lb)		
				B	C	T	R	J	K	H	W	M			LK	GLS	DB
												LK	DB/GLS				
4X11	1/4	1	19	3/4	12	7 1/2	5/8	7 1/2	20 5/8	16 3/8	5 3/8	14 7/8	19 1/2	0.25	112	126	121
			52							20 1/4							
			114							26 1/8							

GLS: Gear Limit Switch
DB: Double Brake