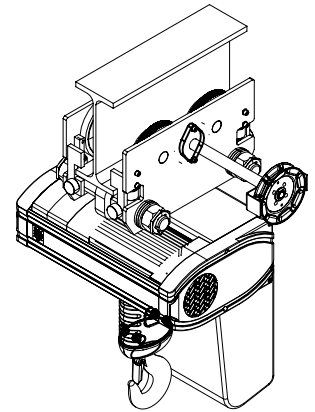
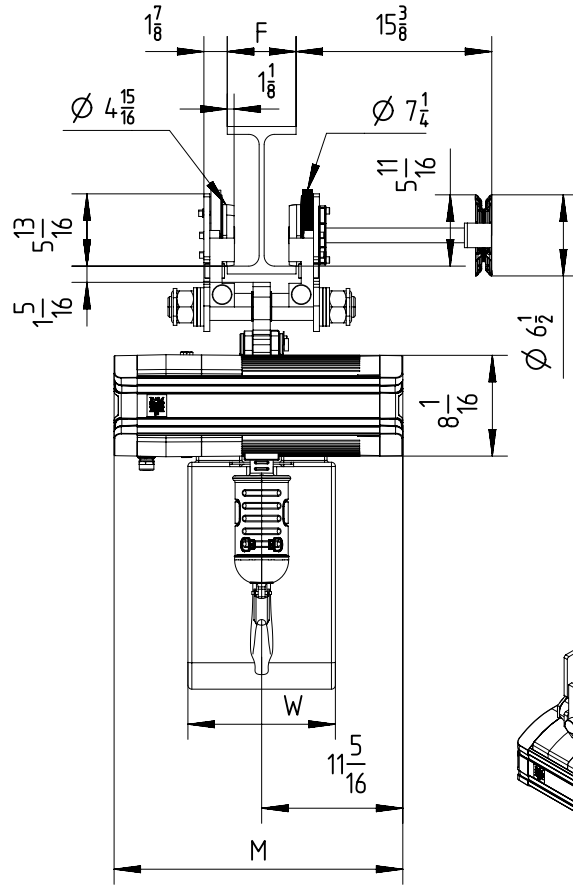
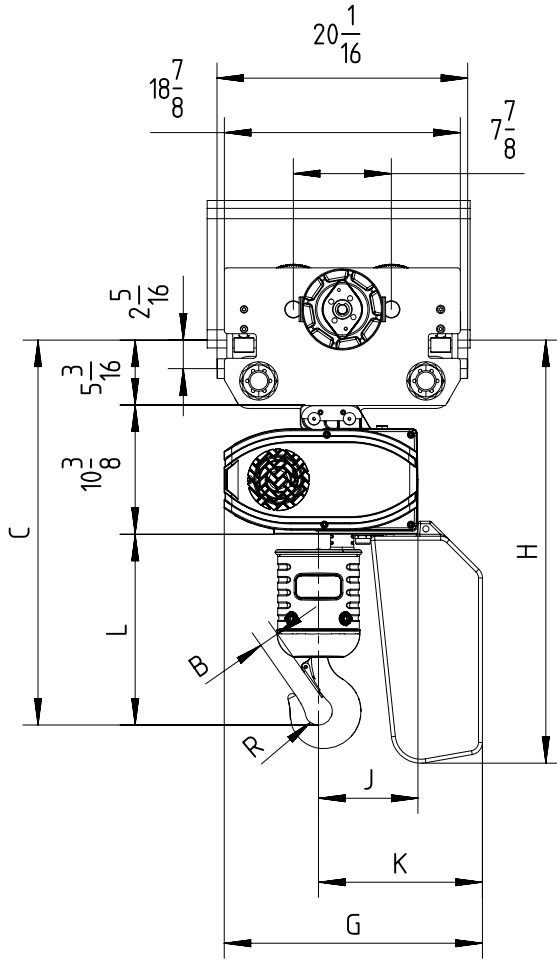


Fixed to hand chain trolley C5 Max 5 TON (perpendicular version)



$$3\frac{1}{4} < F < 12\frac{3}{16}$$

Note: Add $2\frac{3}{8}$ inch to C & L dimension for hoisting speeds greater than 32fpm.

Chain Size (mm)	Max load (TON)	Falls	Chain bag capacity (ft)	Dimensions (inch)											Weight of chain (lb/ft)	Estimated weight of hoist incl. trolley w/o chain (lb)		
				B	C	L	R	J	K	G	H	W	M			LK	GLS	DB
													LK/GLS	DB				
11.3x31	5	2	39 (**)	$1\frac{5}{16}$	$30\frac{13}{16}$	$15\frac{1}{4}$	$\frac{15}{16}$	$6\frac{1}{16}$	$13\frac{1}{8}$	$20\frac{11}{16}$	$33\frac{7}{8}$	$11\frac{13}{16}$	$23\frac{1}{8}$	$27\frac{15}{16}$	1.9	279	390	392

GLS: Gear Limit Switch
DB : Double Brake

(**) In case of 2-fall hoist, available lifting height is half of the chain bag maximum capacity.

R&M reserves the right to alter or amend the above information without notice.

DISCLOSED WITHOUT PRIOR WRITTEN CONSENT OF THE COMPANY . ANY COPIES OF THIS DOCUMENT MADE BY ANY METHOD MUST ALSO INCLUDE A COPY OF THIS LEGEND.

53481908
53481908-PDF2
20/07/2016