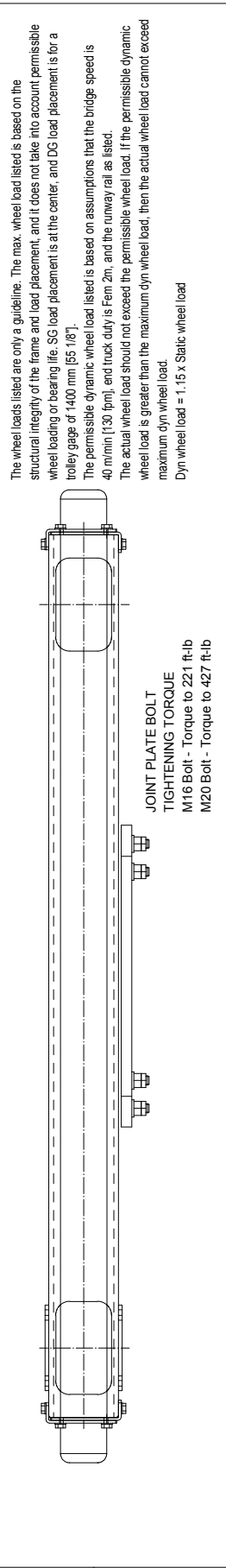


The document is the absolute property of RSN Materials Handling, Inc. This document must not be copied without the written permission of RSN Materials Handling, Inc. The contents hereof must not be disclosed to a third party nor be used for any unauthorized purposes. Contractors will be prosecuted.

# RSN16 END TRUCK SIDE JOINT PLATE TYPE EBN

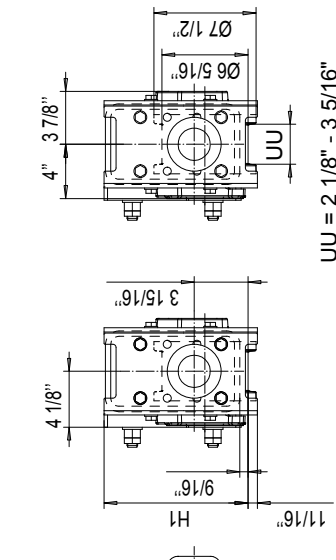


The wheel loads listed are only a guideline. The max. wheel load listed is based on the structural integrity of the frame and load placement, and it does not take into account permissible wheel loading or bearing life. SG load placement is at the center, and DG load placement is for a trolley gauge of 1400 mm (55 1/8").

The permissible dynamic wheel load listed is based on assumptions that the bridge speed is 40 m/min (130 fpm), end truck duty is Fem 2m, and the runway rail as listed.

The actual wheel load should not exceed the permissible wheel load. If the permissible dynamic wheel load is greater than the maximum dyn wheel load, then the actual wheel load cannot exceed maximum dyn wheel load.

Dyn wheel load = 1.15 x Static wheel load



Buffer type	L1	Ø
B	2 11/16"	3 3/16"
C	3 5/16"	3 15/16"
D	4 1/8"	4 15/16"
K	3 3/16"	3 3/16"
G	3 15/16"	3 15/16"
E	5 15/16"	3 15/16"
M	4 15/16"	4 15/16"
F	7 1/2"	4 15/16"
H	6 15/16"+3 15/16"	6 5/16"
P	9 7/16"+3 15/16"	6 5/16"
K, G, E, M, F, H, P polyurethane		
B, C, D rubber		

Joint plate	JPH	JPL	Min. Wheelbase
EBN16-350x255	10 1/32"	13.77"	5'-3", DG
EBN16-350x305	12"	13.77"	5'-3", DG
EBN16-450x255	10 1/32"	17.71"	6'-6 3/4", DG
EBN16-450x305	12"	17.71"	6'-6 3/4", DG

N=standard, E=Special  
 -primer paint, color code  
 Joint plate distance (pin to pin with double DG girders; driving wheel to pin with asymmetrical single SG girder)  
 Buffer type  
 Joint plate height (JPH)  
 Joint plate length (pin to pin) (JPL)  
 - =1WD, D =2WD (Number of driving wheels/end carriage)  
 Wheel groove =UU  
 Wheel base =SS (type)  
 - =std, C =asymmetrical joint  
 Type of end carriage

Product Code example  
**RSN16-1669-450255C0000-N**

Wheelbase code	SS	H1	Max dyn whl load, (kip)	Perm dyn whl load, (kip)	Approx. Wgt / Trk (lb)			
16	5'-3"	10 7/16"	SG 18	ASCE 40 11.25	ASCE 60 15.3	ASCE 85 16.9	SG 411	DG 470
20	6'-6 3/4"	10 7/16"	18	11.25	15.3	16.9	461	521
25	8'-2 7/16"	10 7/16"	18	11.25	15.3	16.9	547	583
32; DG	10'-4"	10 7/16"	-	11.25	15.3	16.9	-	662
32; SG	10'-4"	12 7/16"	18	11.25	15.3	16.9	664	-
40	13'-1 1/2"	12 7/16"	14.18	11.25	15.3	16.9	787	846
45	14'-9 3/16"	12 7/16"	9.9	11.25	15.3	16.9	857	917

Rev	Description	Special Location	Iss	Drawn by
001				
002				
003				
004				
005				
006				
007				
008				
009				
010				
011				
012				
013				
014				
015				
016				
017				
018				
019				
020				
021				
022				
023				
024				
025				
026				
027				
028				
029				
030				
031				
032				
033				
034				
035				
036				
037				
038				
039				
040				
041				
042				
043				
044				
045				
046				
047				
048				
049				
050				
051				
052				
053				
054				
055				
056				
057				
058				
059				
060				
061				
062				
063				
064				
065				
066				
067				
068				
069				
070				
071				
072				
073				
074				
075				
076				
077				
078				
079				
080				
081				
082				
083				
084				
085				
086				
087				
088				
089				
090				
091				
092				
093				
094				
095				
096				
097				
098				
099				
100				

RSN16 END TRUCK  
 OUTLINE DRAWING  
 RSN16-EBN  
 RSN MATERIALS HANDLING INC  
 WHEEL JOINT PRODUCTS  
 SPRINGFIELD, MO  
 Date: 03/20/11