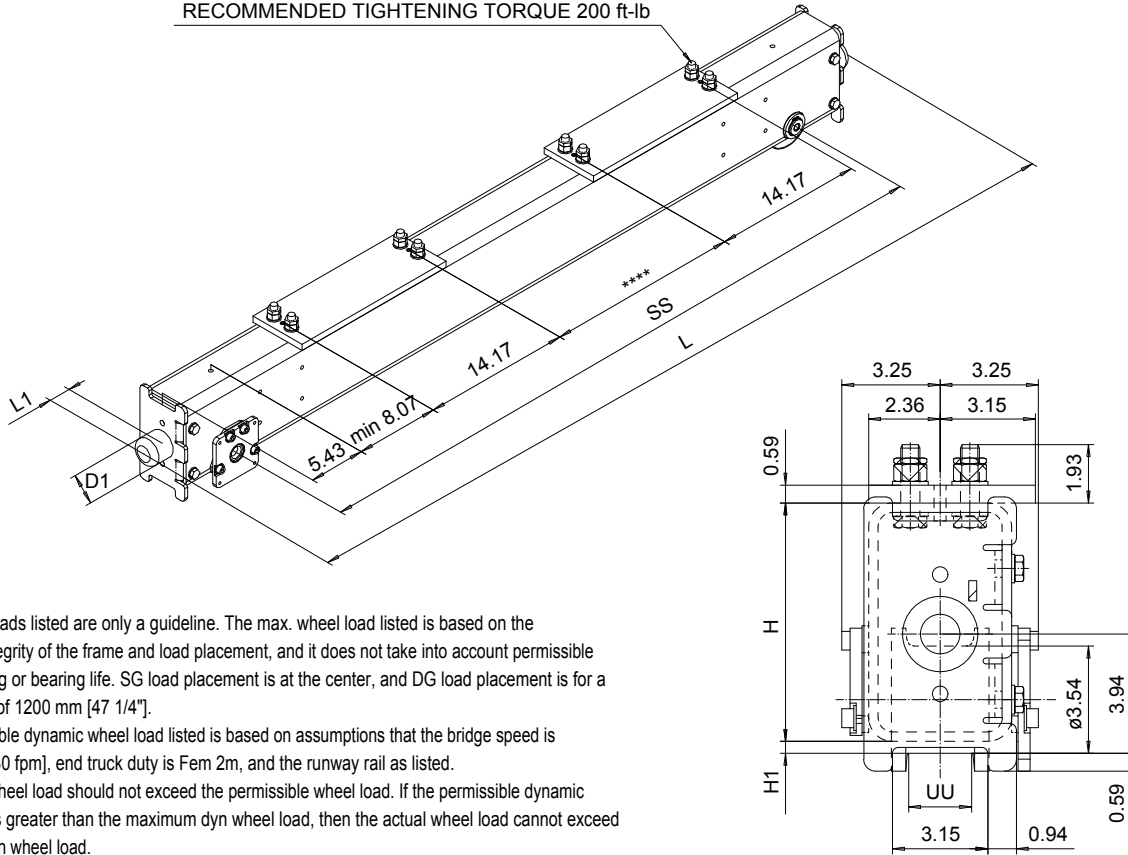


RTN09 END TRUCK

US-60Hz

For single and double girder cranes

RECOMMENDED TIGHTENING TORQUE 200 ft-lb



The wheel loads listed are only a guideline. The max. wheel load listed is based on the structural integrity of the frame and load placement, and it does not take into account permissible wheel loading or bearing life. SG load placement is at the center, and DG load placement is for a trolley gage of 1200 mm [47 1/4"].

The permissible dynamic wheel load listed is based on assumptions that the bridge speed is 40 m/min [130 fpm], end truck duty is Fem 2m, and the runway rail as listed.

The actual wheel load should not exceed the permissible wheel load. If the permissible dynamic wheel load is greater than the maximum dyn wheel load, then the actual wheel load cannot exceed maximum dyn wheel load.

Dynamic wheel = 1.15 x static wheel load

SS	H	H1	SG		DG		Permissible dyn wheel load		
			WT	Max dyn whl load	WT	Max dyn whl load	ASCE 30	ASCE 40	2" SQ BAR
[in] (mm)	[in]	[in]	[lb]	[lb]	[lb]	[lb]	[lb]	[lb]	[lb]
49.21 (1250)	7.87	0.39	172	6300	-	-	4838	5558	7167
63 (1600)	7.87	0.39	216	6300	220	6300	4838	5558	7167
78.74 (2000)	7.87	0.39	247	6300	251	6300	4838	5558	7167
98.43 (2500)	7.87	0.39	289	6300	293	6300	4838	5558	7167

$L = SS + 10.87 + 2 * L1$

Available only with ductile iron wheel.

UU = 1.97" ... 2.76"

RTN09 end truck is compatible with the GES3 gear motor and can be equipped with a second gear motor.

If the crane speed is faster, the duty group is more severe, or the actual runway rail is narrower, then the maximum allowable dynamic wheel load must be re-evaluated.

Suitable buffers		
Code	D1 [in]	L1 [in]
A	2.48	2.09
B	3.15	2.68
C	3.94	3.35
A, B, C: Rubber		

ETVPH Design 2007-02-20 Date				ETVPH Chd Appd Ref Drawing		1 of 4 Folder ECN09 Issue 03/2011
SLEQDOCV Owner Dept				END CARRIAGE RTN09		
Rev	Explanation	Date	Revised by	Checked by	R&M R&M MATERIALS HANDLING, INC. 8001 S GAGE FIELDS SPRINGFIELD, MO	
This document is the absolute property of R&M Materials Handling, Inc. This document must not be copied without the written permission of R&M Materials Handling, Inc. The contents thereof must not be disclosed to a third party nor be used for any unauthorized purpose. Contravention will be prosecuted.					D004778-B 2007-02-20	