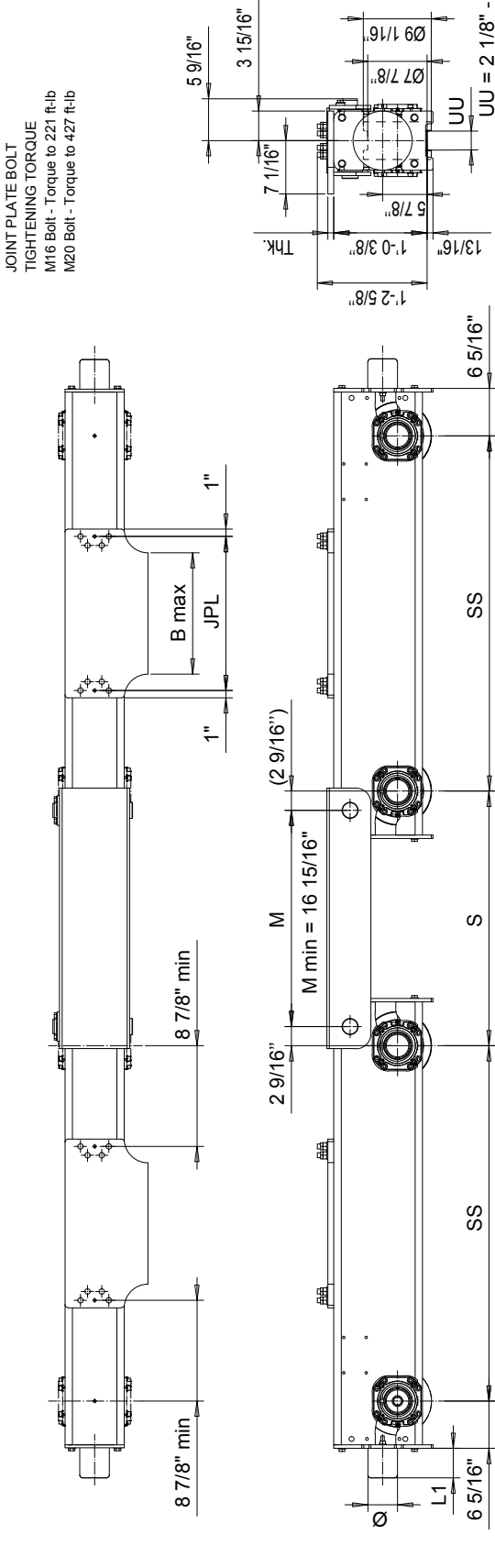


This document is the absolute property of R&M Materials Handling, Inc. This document must not be copied without the written permission of R&M Materials Handling, Inc. The contents hereof must not be disclosed to a third party nor be used for any unauthorized purpose. Contravention will be prosecuted.

RTN20B END TRUCK TOP JOINT PLATE TYPE L



**JOINT PLATE BOLT
TIGHTENING TORQUE**
M16 Bolt - Torque to 221 ft-lb
M20 Bolt - Torque to 427 ft-lb

The wheel loads listed are only a guideline. The max. wheel load listed is based on the structural integrity of the frame and load placement, and it does not take into account permissible wheel loading or bearing life. SG load placement is at the center, and DG load placement is for a trolley gauge of 1400 mm [55 1/8"]. The permissible dynamic wheel load listed is based on assumptions that the bridge speed is 40 m/min [130 fpm], end truck duty is Fm 2m, and the runway rail as listed. The actual wheel load should not exceed the permissible wheel load. If the permissible dynamic wheel load is greater than the maximum dyn wheel load, then the actual wheel load cannot exceed maximum dyn wheel load.
Dyn wheel load = 1.15 x static wheel load

(Product Code example)
RTN20B1274-L41540C0860-N

- N=standard, E=Special
- primer paint, color code
- Inner wheel distance =S
- Buffer type
- Joint plate distance =PP;
(pin to pin, with double girder)
- Joint plate code
- =1WD, D =2WD
- Wheel groove =UU
- Wheel base =SS
- B =bogie
- Type of end carriage

Buffer type	L1	Ø
B	2 11/16"	3 3/16"
C	3 5/16"	3 15/16"
D	4 1/8"	4 15/16"
K	3 3/16"	3 3/16"
G	3 15/16"	3 15/16"
E	5 15/16"	3 15/16"
F	7 1/2"	4 15/16"
H	6 5/16"	6 5/16"
I	7 7/8"	7 7/8"
M	4 15/16"	4 15/16"
P	9 7/16"	6 5/16"
S	11 13/16"	7 7/8"
B, C, D rubber		
K, G, E, F, H, I, M, P, S polyurethane		

Joint plate	Thickness	JPL	B MAX
L3	1"	16.14"	11 13/16"
L4	13/16"	20.47"	16 3/16"
L5	13/16"	24.8"	20 1/2"
L6	13/16"	29.13"	24 13/16"

Wheelbase Type	SS	Max dyn whl load (kip)	Permissible dyn whl load, (kip)	ASCE 40	ASCE 60	ASCE 85	Approx. Weight (lb)
12	3'-11 1/4"	29.7	14.8	19.8	22	828	
14	4'-7 1/8"	29.7	14.8	19.8	22	892	
16	5'-3"	29.7	14.8	19.8	22	956	
18	5'-10 7/8"	29.7	14.8	19.8	22	1020	
20	6'-6 3/4"	29.7	14.8	19.8	22	1084	

Pos	Description	Specification	Id	Drawing								
E1	Design	E1TVPH										
E2	Date	2008-06-23										
<table border="1"> <tr> <td>Appd</td> <td>Ref Drawing</td> </tr> <tr> <td>END TRUCK</td> <td></td> </tr> <tr> <td>OUTLINE DRAWING</td> <td></td> </tr> <tr> <td>RTN20B-L</td> <td></td> </tr> </table>					Appd	Ref Drawing	END TRUCK		OUTLINE DRAWING		RTN20B-L	
Appd	Ref Drawing											
END TRUCK												
OUTLINE DRAWING												
RTN20B-L												
Part	R&M MATERIALS HANDLING, INC. 2008-06-23											
ECN20	RTN20B END TRUCK TOP JOINT											
Issue	03/2012											