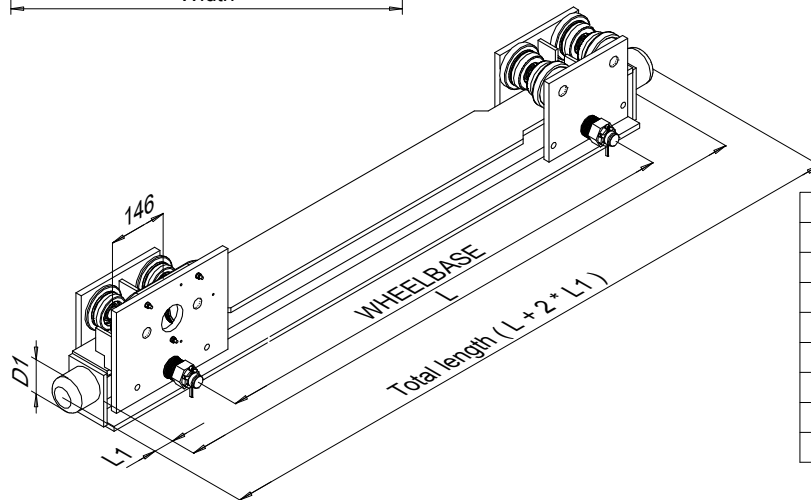
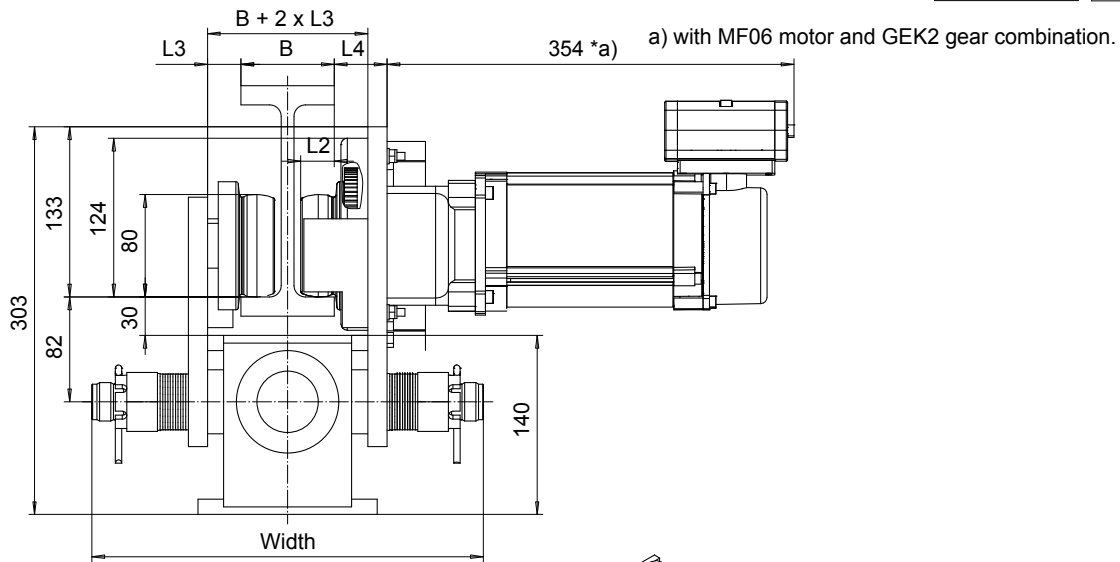


# RU08 UNDER RUNNING END TRUCK

SI-60Hz

SI-50Hz



Suitable buffers		
Code	D1 [mm]	L1 [mm]
A	63	53
B	80	68
C	100	85
K	80	80
G	100	100
A, B, C: Rubber		
K, G: Polyurethane		

FLANGE RANGE (B) DIMENSIONS					
Wheels	B [mm]	L2 [mm]	L3 [mm]	L4 [mm]	Width [mm]
Std	73...120	26	26	41	306
Std	121...168	26	26	41	354
Std	169...216	26	26	41	402
Std	217...264	26	26	41	450
Std	265...313	26	26	41	498
Patented	63...110	21	31	46	306
Patented	111...158	21	31	46	354

WHEELBASE [mm]	Max dyn corner load [kN]	L [mm]	Weight [kg]
1200	25	1530	110
1400	25	1730	117
1800	25	2130	131
2300	23	2630	148
2800	20	3130	165

This document is the absolute property of R&M Materials Handling, Inc. This document must not be copied without the written permission of R&M Materials Handling, Inc. The contents thereof must not be disclosed to a third party nor be used for any unauthorized purpose. Contravention will be prosecuted.

Design	Chd	Appd	Ref Drawing	UU08
2007-01-15			END CARRIAGE	
SLEBDOCV			UU08	
R&M	R&M MATERIALS HANDLING, INC			
	BUCKLE & CHAM PRODUCTS			
	SPRINGFIELD, OHIO		D004649-B	
				1