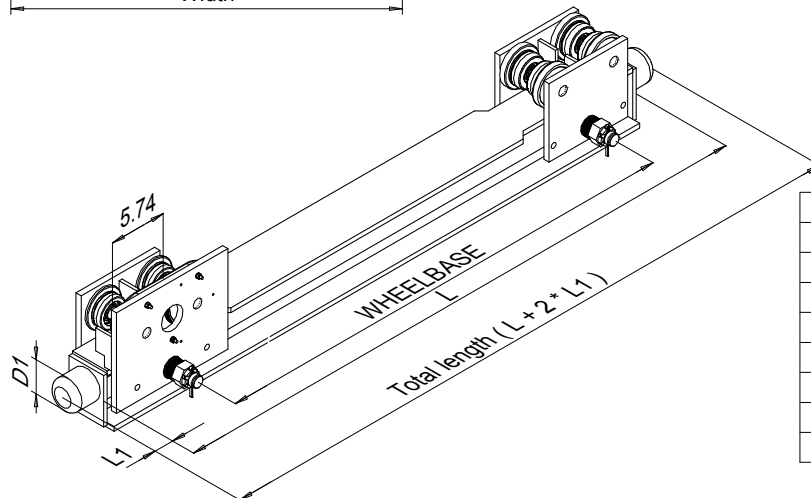
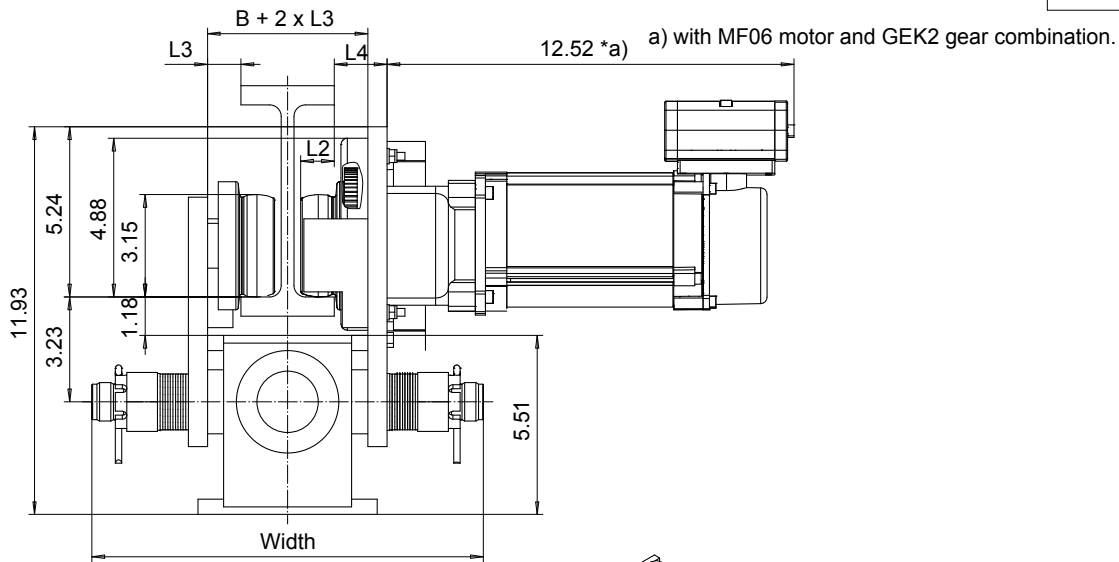


RU08 UNDER RUNNING END TRUCK

US-60Hz



Suitable buffers		
Code	D1 [in]	L1 [in]
A	2.48	2.09
B	3.15	2.68
C	3.94	3.35
K	3.15	3.15
G	3.94	3.94
A, B, C: Rubber		
K, G: Polyurethane		

FLANGE RANGE (B) DIMENSIONS					
Wheels	B [in]	L2 [in]	L3 [in]	L4 [in]	Width [in]
Std	2.87...4.72	1.02	1.02	1.61	12.05
Std	4.76...6.61	1.02	1.02	1.61	13.94
Std	6.65...8.5	1.02	1.02	1.61	15.83
Std	8.54...10.39	1.02	1.02	1.61	17.72
Std	10.64...12.32	1.02	1.02	1.61	19.61
Patented	2.48...4.33	0.83	1.22	1.81	12.05
Patented	4.37...6.22	0.83	1.22	1.81	13.94

WHEELBASE [in] (mm)	Max dyn corner load [lb]	L [in]	Weight [lb]
47.24 (1200)	5625	60.24	243
55.12 (1400)	5625	68.11	258
70.87 (1800)	5625	83.86	289
90.55 (2300)	5175	103.54	326
110.23 (2800)	4500	123.23	364

This document is the absolute property of R&M Materials Handling, Inc. This document must not be copied without the written permission of R&M Materials Handling, Inc. The contents thereof must not be disclosed to a third party nor be used for any unauthorized purpose. Contravention will be prosecuted.

ETTAJA	Cltd	Appd	Ref Drawing	UU08
Design	END CARRIAGE			
2007-01-15	Date			
SLEBDOCV	UU08			
Owner Dept	D004649-B			
R&M	R&M MATERIALS HANDLING, INC	BUCKLE & CHAMBER PRODUCTS	SPRINGFIELD, OHIO	1 of 1
1	1 of 1			1