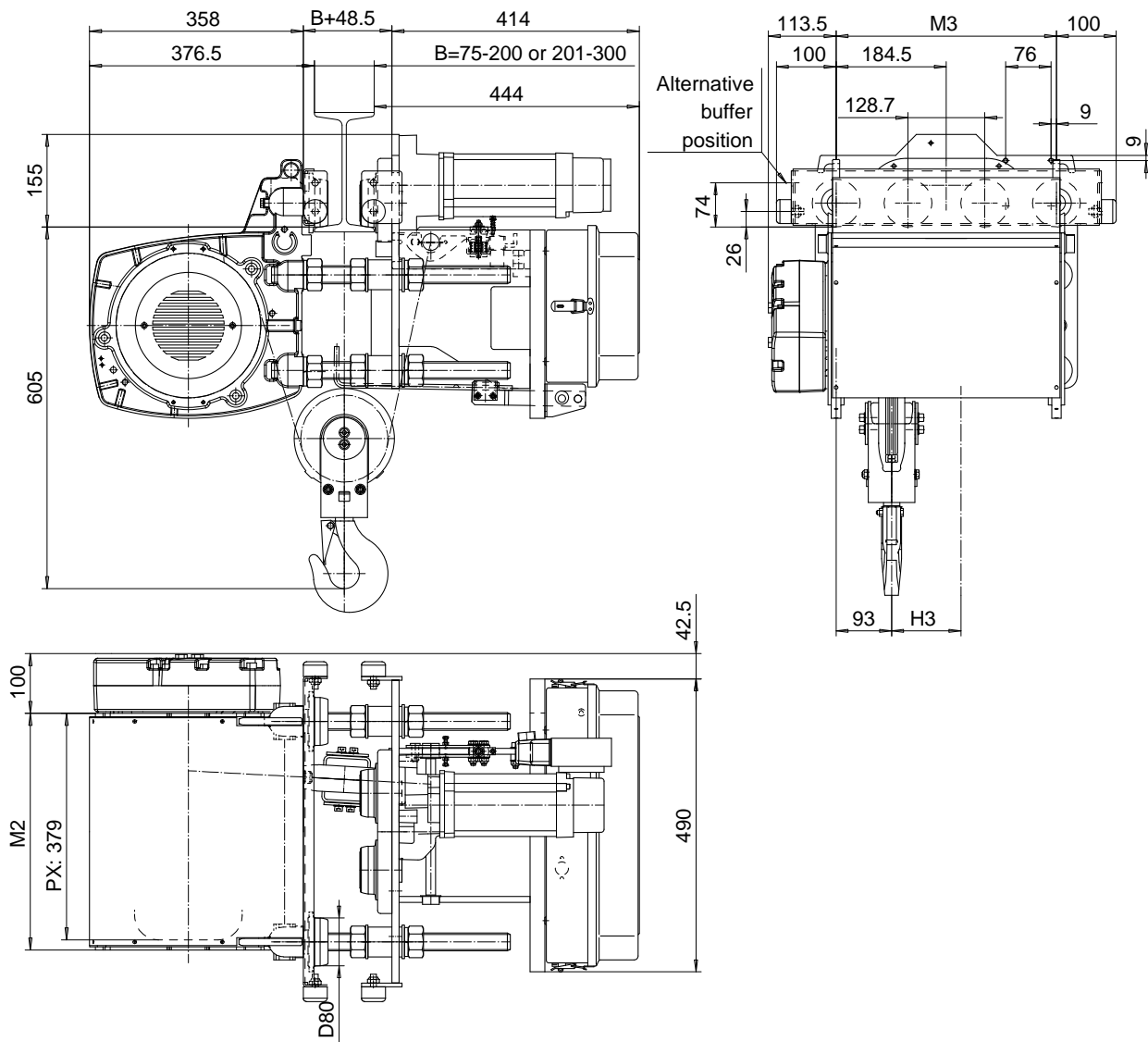


**SPECIAL LOW HEADROOM, 2 PART SINGLE**  
**Hoist type:**  
**SX1 021...J0**

**SI-50Hz**



Load (kg)	Class FEM / ISO	Hoisting speed (m/min) Gear+Motor code:
1000	2m / M5	E+PX 8 / 1.3

HOL [m]	Length code	M2 [mm]	M3 [mm]	H3 [mm]	Weight [kg]
6	A	396	369	56.5	175
12	B	396	369	111.5	180

KHHMHE	Chd	Appd	Ref Drawing	QZ-J-02
Design 2004-11-05	HOIST; SPECIAL LOW HEADROOM			1:1 Folder
Date	2 ROPE FALLS			
SLEQDOCV	D003698-A			Issue 6
Owner Dept	R&M			
	R&M MATERIALS HANDLING, INC. ROPE & CABLE SERVICES SHEPHERD, PA			

This document is the absolute property of R&M Materials Handling, Inc. This document must not be copied without the written permission of R&M Materials Handling, Inc. The contents thereof must not be disclosed to a third party nor be used for any unauthorized purpose. Contravention will be prosecuted.