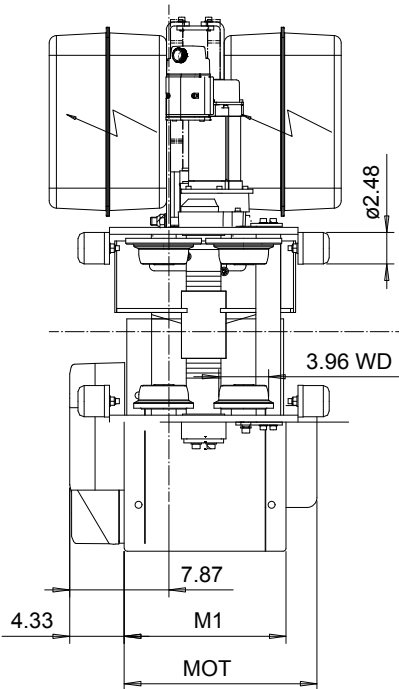
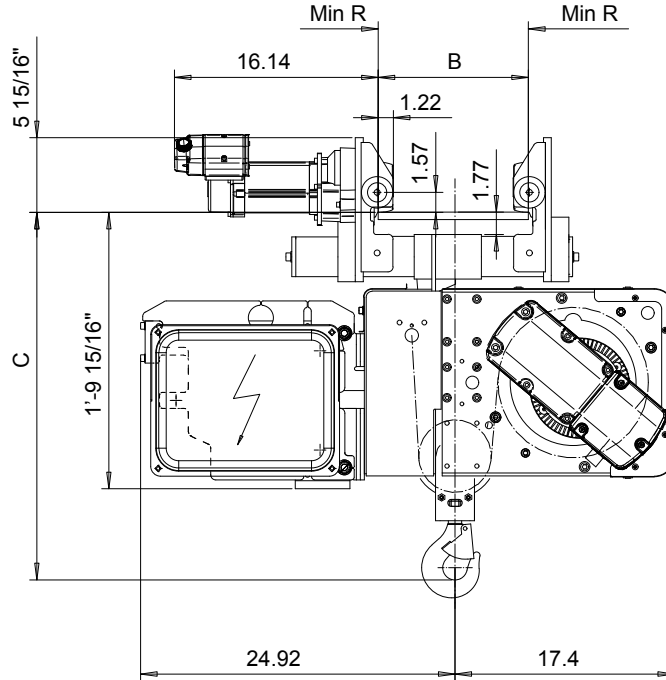
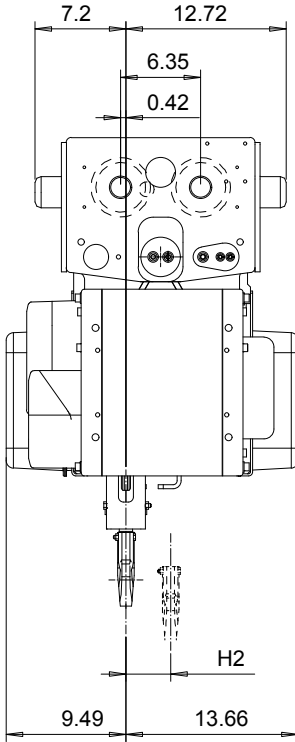


NORMAL HEADROOM, 2 PART SINGLE

Hoist type:
 SX2021..N0
 SX3021..N0

US-60Hz



Motor	P1	P2	P3	A3	S3
MOT (in)	15.2	17.6	18.7	17.6	20.7
Weight (lb)	46	68	77	71	62

Minimum Radius Curve	
Flange, B (inch)	Min R
3.93 - 4.31	8'-2 7/16"
4.33 - 4.69	6'-6 3/4"
4.75 - 17.72	4'-11 1/6"

Headroom - C dimension	
Standard	29.13"
with HS22 Hook operated limit switch	33.9"

HOL (ft)	Length code	H2 (inch)	M1 (inch)	Approx Weight (lb)
39'-4"	A	3.54	12.83	500
62'-4"	C	5.67	17.95	540

Load (ton)	Class ASME
3/4	H4+
1	H4
1 1/4	H4+
1 1/2	H4

Approx. weight calculated with P1 motor.

This document is the absolute property of R&M Materials Handling, Inc. This document must not be copied without the written permission of R&M Materials Handling, Inc. The contents thereof must not be disclosed to a third party nor be used for any unauthorized purpose. Contravention will be prosecuted.

ETTPAL Design	ETTPAL Chd	Appd	Ref Drawing	QA-N-02
2002-08-26 Date	TROLLEY; NORMAL HEADROOM			1.65
SLEQDQCV Owner Dept	2 ROPE FALLS			Folder
R&M MATERIALS HANDLING INC.	R&M MATERIALS HANDLING, INC. HOIST & CRANE PRODUCTS SPRINGFIELD, OHIO	D002077-A		Issue 11