

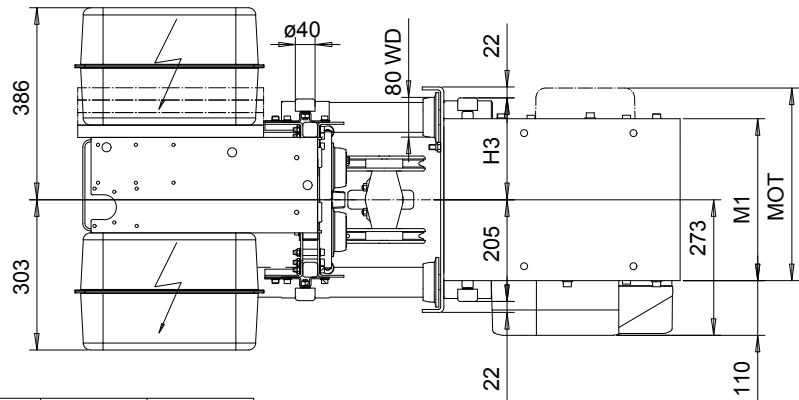
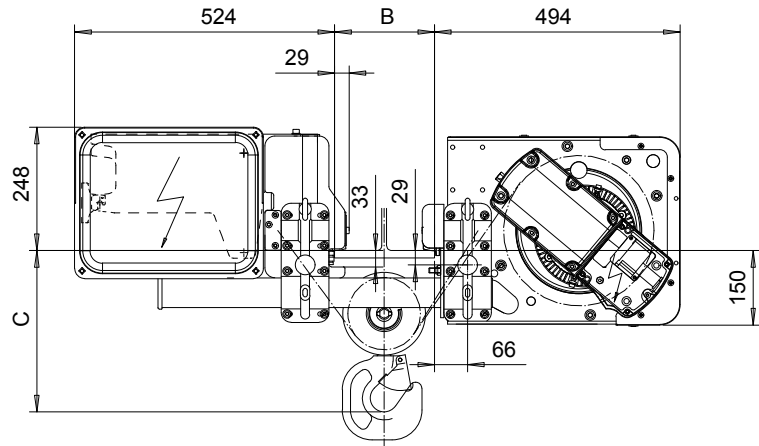
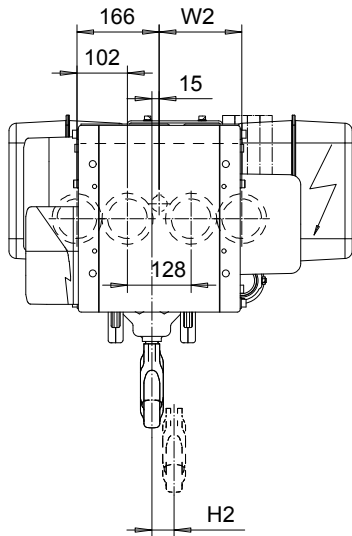
# LOW HEADROOM, 4 PART SINGLE

Hoist type:

SX2 041..L0

SX3 041..L0

SI-60Hz



Motor	P1	P2	P3	A3	S3
MOT (mm)	385	446	476	446	526
Weight (kg)	21	31	35	32	28

HEADROOM TABLE - C DIMENSION		
Flange Width, B (mm)	Headroom, C (mm)	with HS22 Hook oper limit switch (mm)
80 - 270	350	485
271 - 320	380	485
321 - 370	410	485
371 - 410	435	485

Headroom is related to the flange width

HOL	Length	M1	H2	H3	W2	Approx Weight
(m)	code	(mm)	(mm)	(mm)	(mm)	(kg)
6	A	326	45	203	166	180
9.5	C	456	72	270	231	200

Load (kg)	Class Fem/ISO
1600	3m/M6
2000	2m/M5
2500	3m/M6
3200	2m/M5

This document is the absolute property of R&M Materials Handling, Inc. This document must not be copied without the written permission of R&M Materials Handling, Inc. The contents thereof must not be disclosed to a third party nor be used for any unauthorized purpose. Contravention will be prosecuted.

Design	Chd	Appd	Ref Drawing	QA-L-04
Date	TROLLEY; LOW HEADROOM			1:6.5
SLEOMECE Owner Dept	4 ROPE FALLS			Folder
R&M MATERIALS HANDLING INC.	R&M MATERIALS HANDLING, INC. HOIST & CRANE PRODUCTS SPRINGFIELD, OHIO	D002080-A		Issue 8