

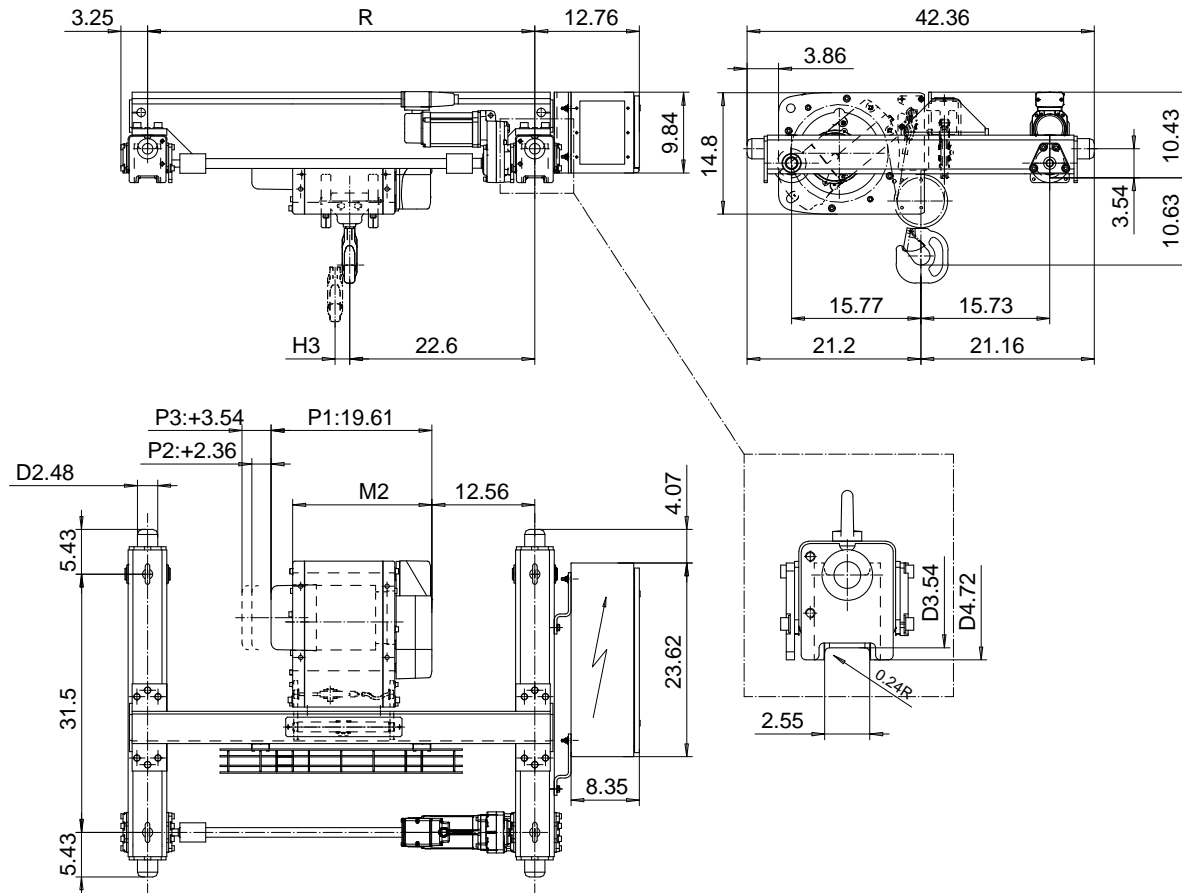
DOUBLE GIRDER, MEDIUM, 4 PART SINGLE

Hoist type:

SX2 041..D0

SX3 041..D0

US-60Hz




Load (T)	Class ASME	Hoisting speed (ft/min)			
		Gear+Motor code:			
		F+P1	F+P2	G+P2	H+P3
1 1/2	H4+	20/3.1	20/3.1	25/3.9	30/4.9
2	H4	20/3.1	20/3.1	25/3.9	30/4.9
2 1/2	H4+	-	20/3.1	25/3.9	30/4.9
3	H4	-	20/3.1	25/3.9	30/4.9
+ weight (lb):		-	20	20	26

HOL (ft-in)	Length code	M2 (inch)	H3 (inch)	min R (ft-in)	Weight (lb)
19'-8"	A	16.97	1.77	3'-11 1/4"	450
31'-2"	C	22.09	2.83	3'-11 1/4"	470

Note: minR is minimum rail gauge when second brake is supplied
Standard rail gauges are 3'-11 1/4", 4'-7 1/8", 5'-6 7/8", and 6'-6 3/4"

This document is the absolute property of R&M Materials Handling, Inc. This document must not be copied without the written permission of R&M Materials Handling, Inc. The contents thereof must not be disclosed to a third party nor be used for any unauthorized purpose. Contravention will be prosecuted.

Design	Chg	Appd	Ref Drawing	QA-M-04
Date	TROLLEY; DOUBLE GIRDER			 1:10 Tolerance
SLE/ME/CE Owner Dept	MEDIUM, 4 ROPE FALLS			
R&M MATERIALS HANDLING, INC. R&M & CONE PRODUCTS SHEWAN, USA	D002081-A			Drawn 5