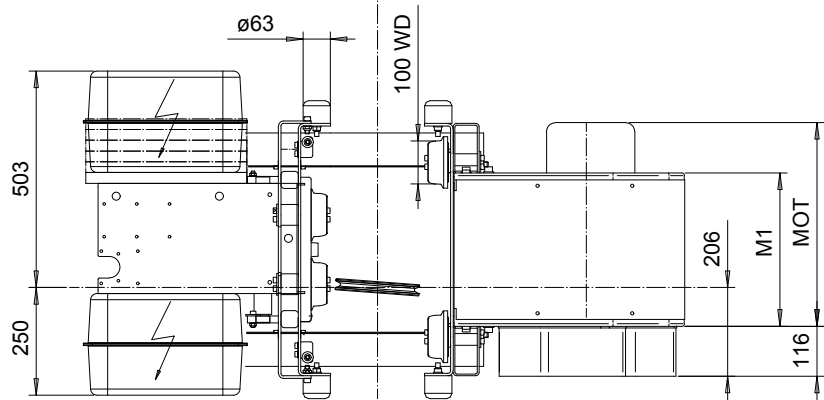
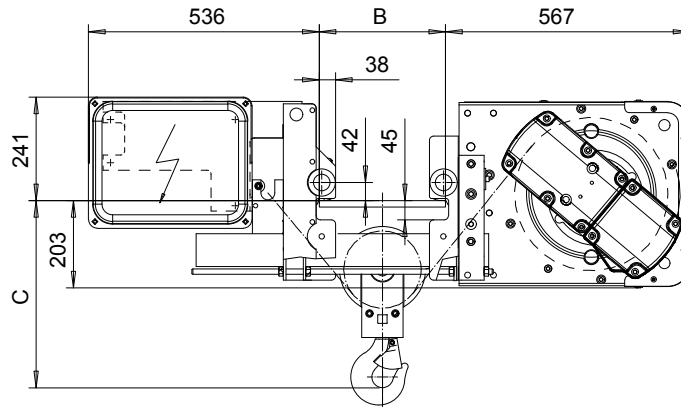
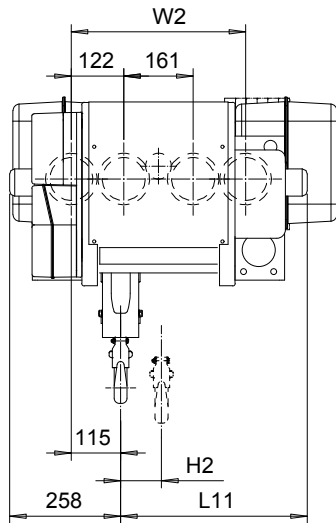


LOW HEADROOM, 2 PART SINGLE
Hoist type:
SX4 021...L0

SI-50Hz



Motor	P3	P4	A3	S3	S5
MOT (mm)	476	574	446	526	602
Weight (kg)	35	53	32	28	53

HEADROOM TABLE - C DIMENSION		
Flange Width, B (mm)	Headroom, C (mm)	with HS22 Hook oper limit switch (mm)
100 - 250	440	655
251 - 300	470	655
301 - 350	505	655
351 - 400	535	655
401 - 450	570	655
451 - 490	595	655

Headroom is related to the flange width

HOL (m)	Length code	H2 (mm)	L11 (mm)	M1 (mm)	W2 (mm)	Approx Weight (kg)
12	B	95	346	356	405	378
18	C	144	446	456	505	398
24	D	193	546	556	605	418

Load (kg)	Class Fem/ISO
1600	3m/M6
2000	3m/M6
2500	2m/M5

Approx. weight calculated with P1 motor.

This document is the absolute property of R&M Materials Handling, Inc. This document must not be copied without the written permission of R&M Materials Handling, Inc. The contents thereof must not be disclosed to a third party nor be used for any unauthorized purpose. Contravention will be prosecuted.

ETTPAL Design	ETTPAL Chd	Appd	Ref Drawing	QB-L-02
2002-08-27 Date	TROLLEY; LOW HEADROOM			1:7.5
SLEQDQCV Owner Dept	2 ROPE FALLS			Folder
R&M MATERIALS HANDLING INC.	R&M MATERIALS HANDLING, INC HOIST & CRANE PRODUCTS SPRINGFIELD, OHIO	D002087-A		Issue 6