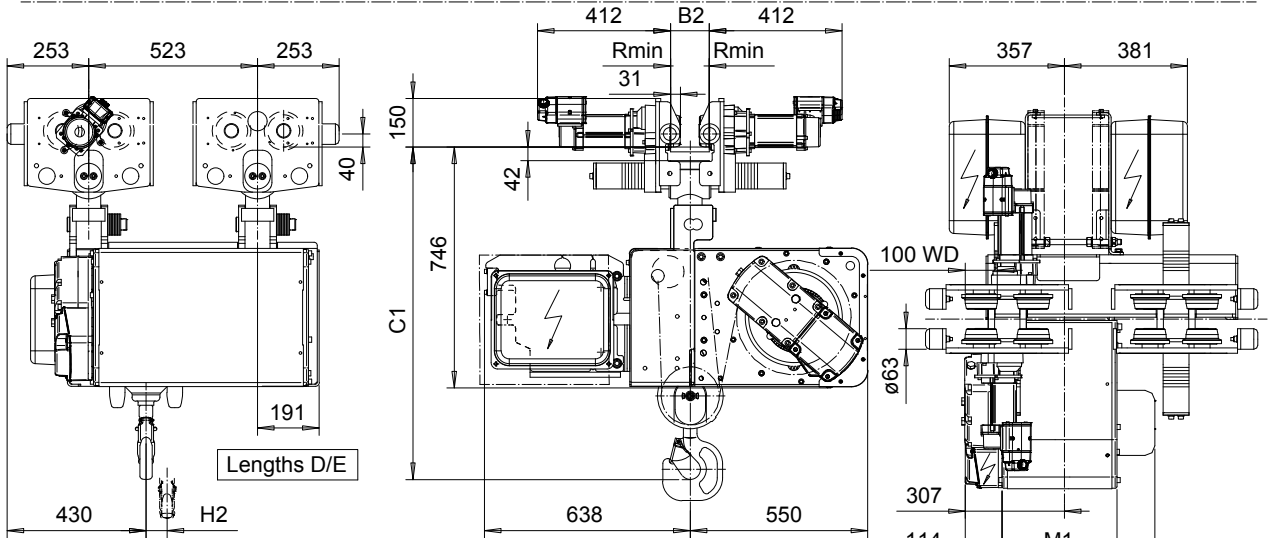
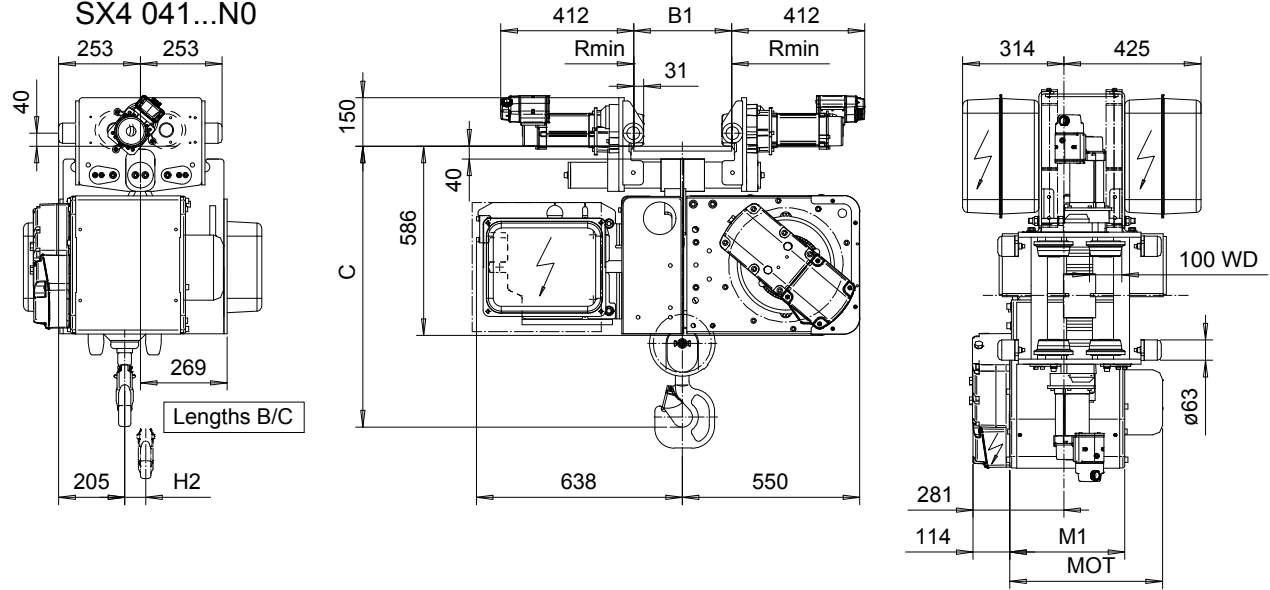


NORMAL HEADROOM, CURVED TRACK; 4 PART SINGLE

Hoist type:

SX4 041...N0

SI-60Hz



Headroom Dimension	C	C1
Standard	870 mm	1030 mm
with HS22 Hook operated limit switch	990 mm	1150 mm

Motor	P3	P4	A3	S3	S5
MOT (mm)	476	574	446	526	602
Weight (kg)	35	53	32	28	53

Load (kg)	Class Fem/ISO
3000	3m/M6
4000	3m/M6
5000	2m/M5

Hoist Dimensions				
HOL	Length	H2	M1	Approx Weight
(m)	code	(mm)	(mm)	(kg)
6	B	49	356	413
9	C	73	456	453
12	D	97	556	603
15	E	121	676	618

Track Radius		
Flange B1	Flange B2	R min
80 - 109	90 - 109	2500
110 - 119	110 - 119	2000
120 - 450	120 - 350	1500

This document is the absolute property of R&M Materials Handling, Inc. This document must not be copied without the written permission of R&M Materials Handling, Inc. The contents thereof must not be disclosed to a third party nor be used for any unauthorized purpose. Contravention will be prosecuted.

ETTVPH Design	ETTVPH Chd	Appd	Ref Drawing	QB-N-04
2004-12-23 Date	TROLLEY; NORMAL HEADROOM CURVED TRACK; 4 ROPE FALLS			1:10 Folder
SLEODOCV Owner Dept	R&M MATERIALS HANDLING, INC. HOIST & CRANE PRODUCTS SPRINGFIELD, OHIO			Issue
	D003841-A			5