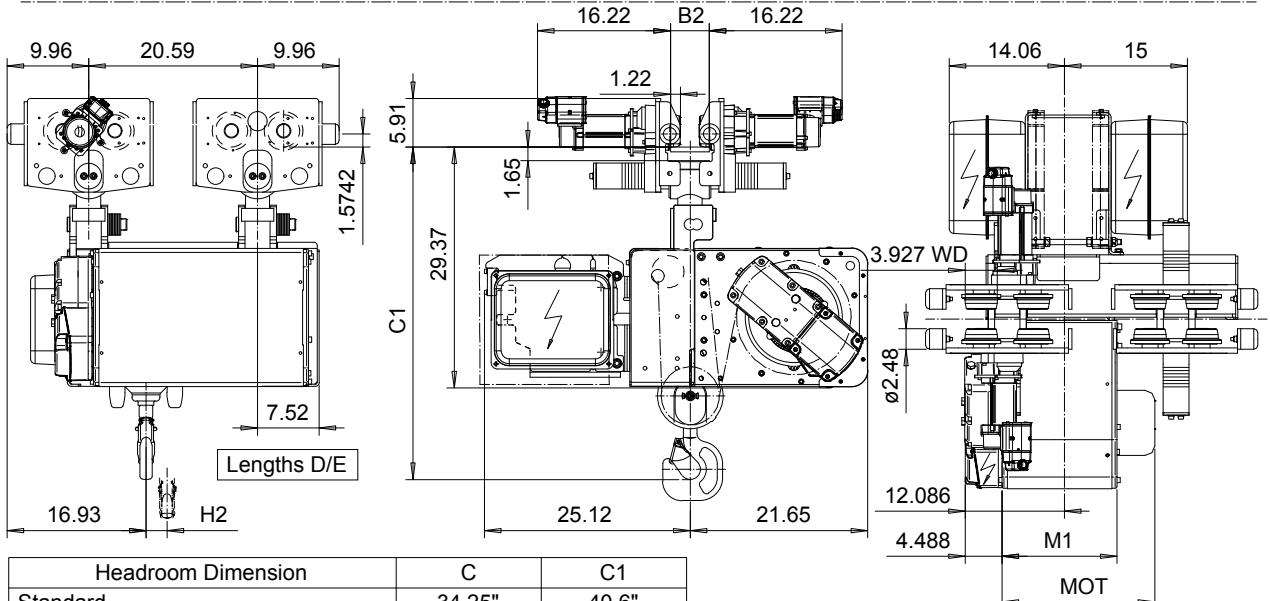
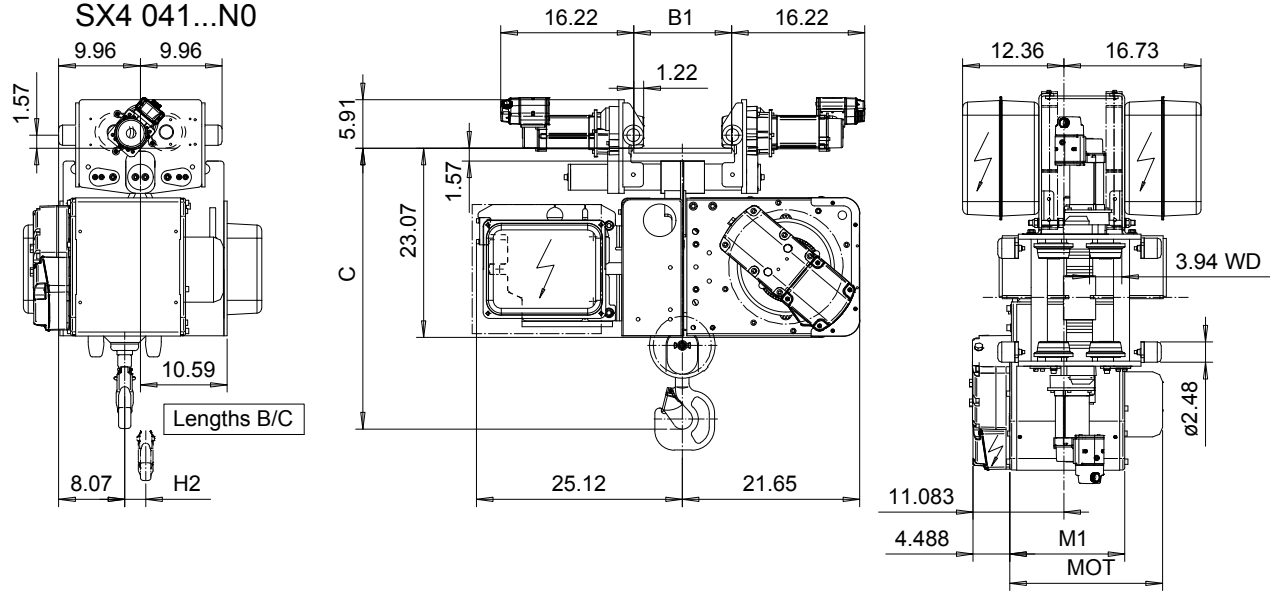


NORMAL HEADROOM, CURVED TRACK; 4 PART SINGLE

Hoist type:

SX4 041...N0

US-60Hz



Headroom Dimension	C	C1
Standard	34.25"	40.6"
with HS22 Hook operated limit switch	40"	45.3"

Motor	P3	P4	A3	S3	S5
MOT (in)	18.7	22.6	17.6	20.7	23.7
Weight (lb)	77	117	71	62	117

Load (TON)	Class ASME
3	H4+
4	H4+
5	H4

Hoist Dimensions				
HOL (ft)	Length code	H2 (inch)	M1 (inch)	Approx Weight (lb)
19'-8"	B	1.92	14.03	911
29'-6"	C	2.87	17.95	999
39'-4"	D	3.81	21.89	1329
49'-2"	E	4.76	26.62	1362

Track Radius		
Flange B1	Flange B2	R min
3.15 - 4.29	3.54 - 4.29	8'-2 7/16"
4.33 - 4.68	4.33 - 4.68	6'-6 3/4"
4.72 - 17.7	4.72 - 13.78	4'-11 1/16"

This document is the absolute property of R&M Materials Handling, Inc. This document must not be copied without the written permission of R&M Materials Handling, Inc. The contents thereof must not be disclosed to a third party nor be used for any unauthorized purpose. Contravention will be prosecuted.

ETTVPH Design	ETTVPH Chd	Appd	Ref Drawing	QB-N-04
2004-12-23 Date	TROLLEY; NORMAL HEADROOM CURVED TRACK; 4 ROPE FALLS			1:10 Folder
SLEODOCV Owner Dept	R&M MATERIALS HANDLING, INC. HOIST & CRANE PRODUCTS SPRINGFIELD, OHIO			Issue
	D003841-A			5