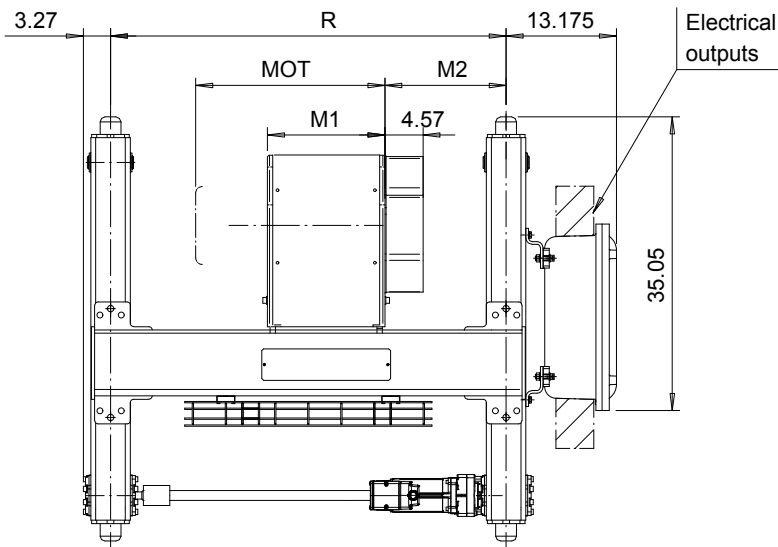
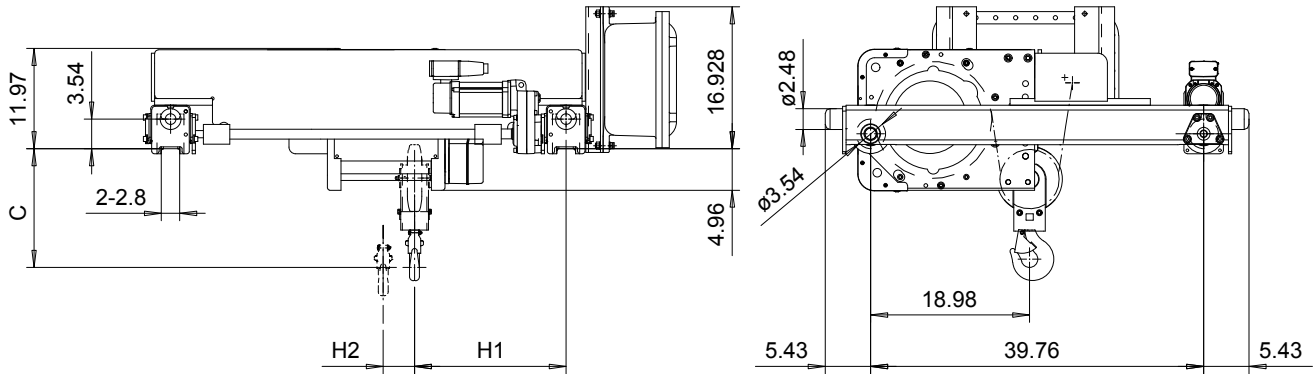


R&M SPACEMASTER EX

DOUBLE GIRDER, 2 PART SINGLE SX4 EX 021...D0



US-60Hz

Motor	P2	P3
MOT (in)	17.6	18.7
Weight (lb)	69	77

HOL	Length	M1	M2	H1	H2	min R	Approx Weight
(ft)	code	(inch)	(inch)	(inch)	(inch)	(ft)	(lb)
39'-4"	B	14.03	14.5	18.07	3.74	3'-11 1/4"	685
59'-0"	C	17.95	14.5	18.07	5.66	3'-11 1/4"	706
78'-8"	D	21.89	18.43	22.00	7.59	4'-7 1/8"	740
98'-5"	E	26.62	18.43	22.00	9.92	4'-7 1/8"	773

Load	Class
(TON)	ASME
1 1/2	H4+
2	H4+
2 1/2	H4

min R is minimum rail gauge when service platform or second brake is supplied.
Standard rail gauges are 47 1/4", 55 1/8", 66 15/16" and 78 3/4"