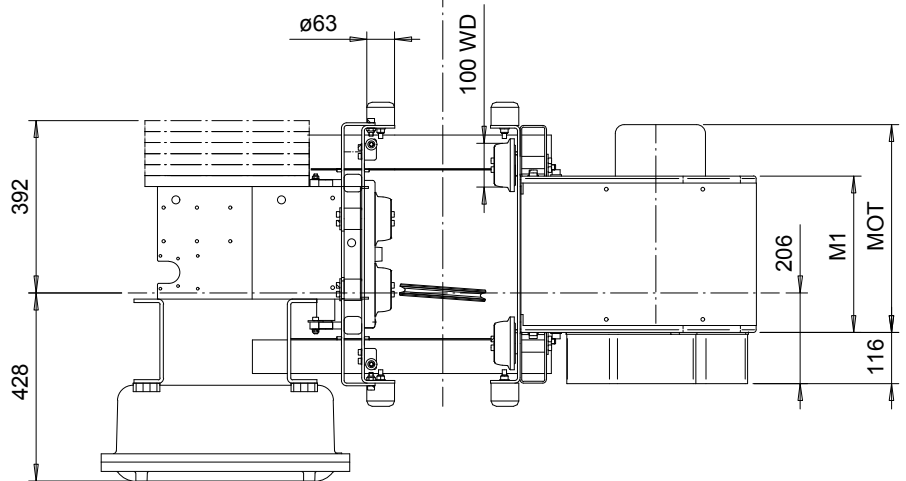
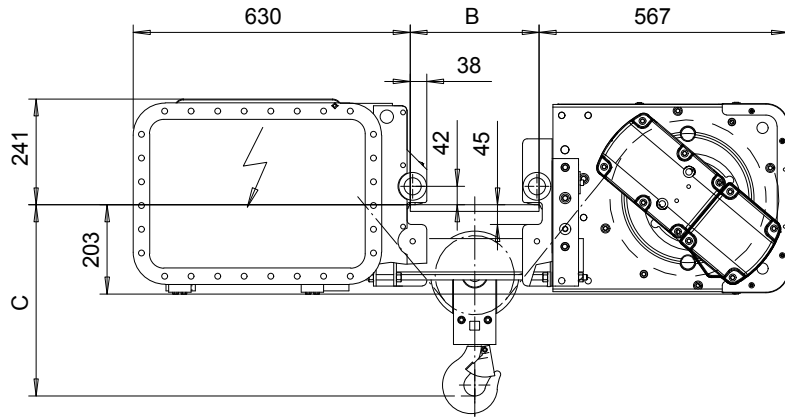
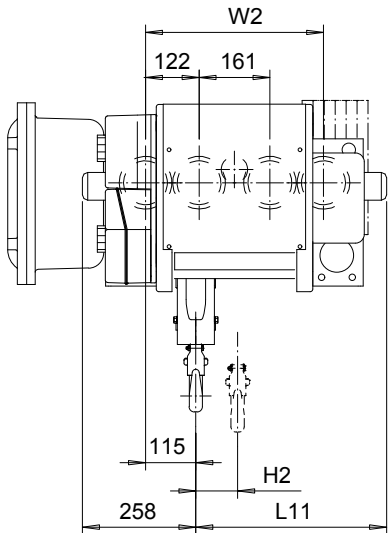


R&M SPACEMASTEREX

LOW HEADROOM, 2 PART SINGLE
SX4 EX 021...L0



SI-60Hz

HEADROOM TABLE	
Flange Width, B (mm)	Headroom, C (mm)
100 - 250	440
251 - 300	470
301 - 350	505
351 - 400	535
401 - 450	570
451 - 490	595
Headroom is related to the flange width	

Motor	P2	P3
MOT (mm)	446	476
Weight (kg)	31	35

HOL (m)	Length code	H2 (mm)	L11 (mm)	M1 (mm)	W2 (mm)	Approx Weight (kg)
12	B	95	346	356	405	378
18	C	144	446	456	505	398
24	D	193	546	556	605	418

Load (kg)	Class Fem/ISO
1600	3m/M6
2000	3m/M6
2500	2m/M5