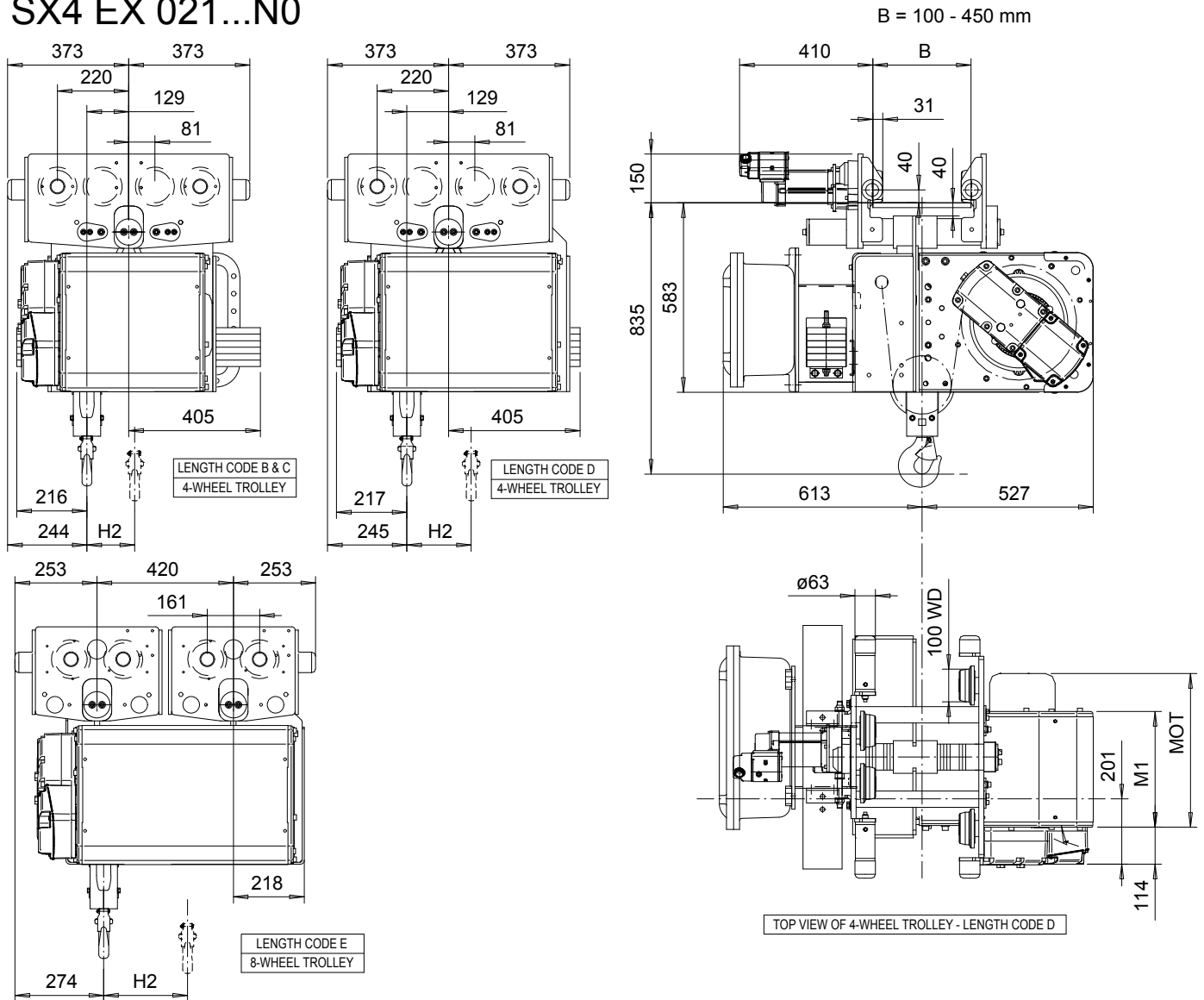


# R&M SPACEMASTER EX

## NORMAL HEADROOM, 2 PART SINGLE SX4 EX 021...N0



SI-60Hz

HOL (m)	Length code	H2 (mm)	M1 (mm)	Approx Weight (kg)
12	B	98	356	403
18	C	147	456	443
24	D	198	556	473
30	E	258	676	533

Motor	P2	P3
MOT (mm)	446	476
Weight (kg)	31	35

Load (kg)	Class Fem/ISO
1600	3m/M6
2000	3m/M6
2500	2m/M5