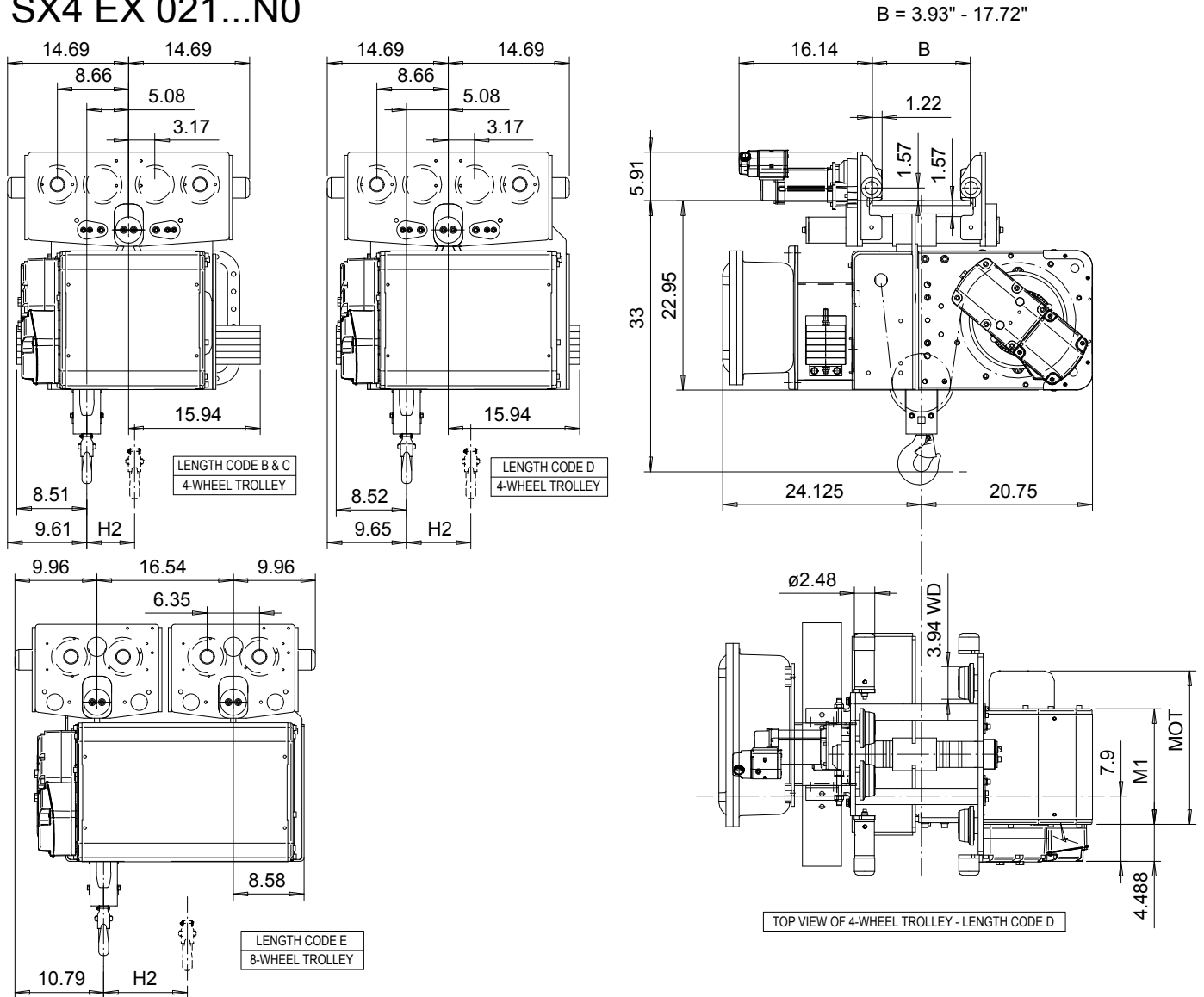


R&M SPACEMASTER EX

NORMAL HEADROOM, 2 PART SINGLE SX4 EX 021...N0



US-60Hz

HOL (ft)	Length code	H2 (inch)	M1 (inch)	Approx Weight (lb)
39'-4"	B	3.85	14.03	888
59'-0"	C	5.78	17.96	977
78'-8"	D	7.79	21.89	1043
98'-5"	E	10.15	26.61	1175

Motor	P2	P3
MOT (in)	17.6	18.7
Weight (lb)	69	77

Load (TON)	Class ASME
1 1/2	H4+
2	H4+
2 1/2	H4