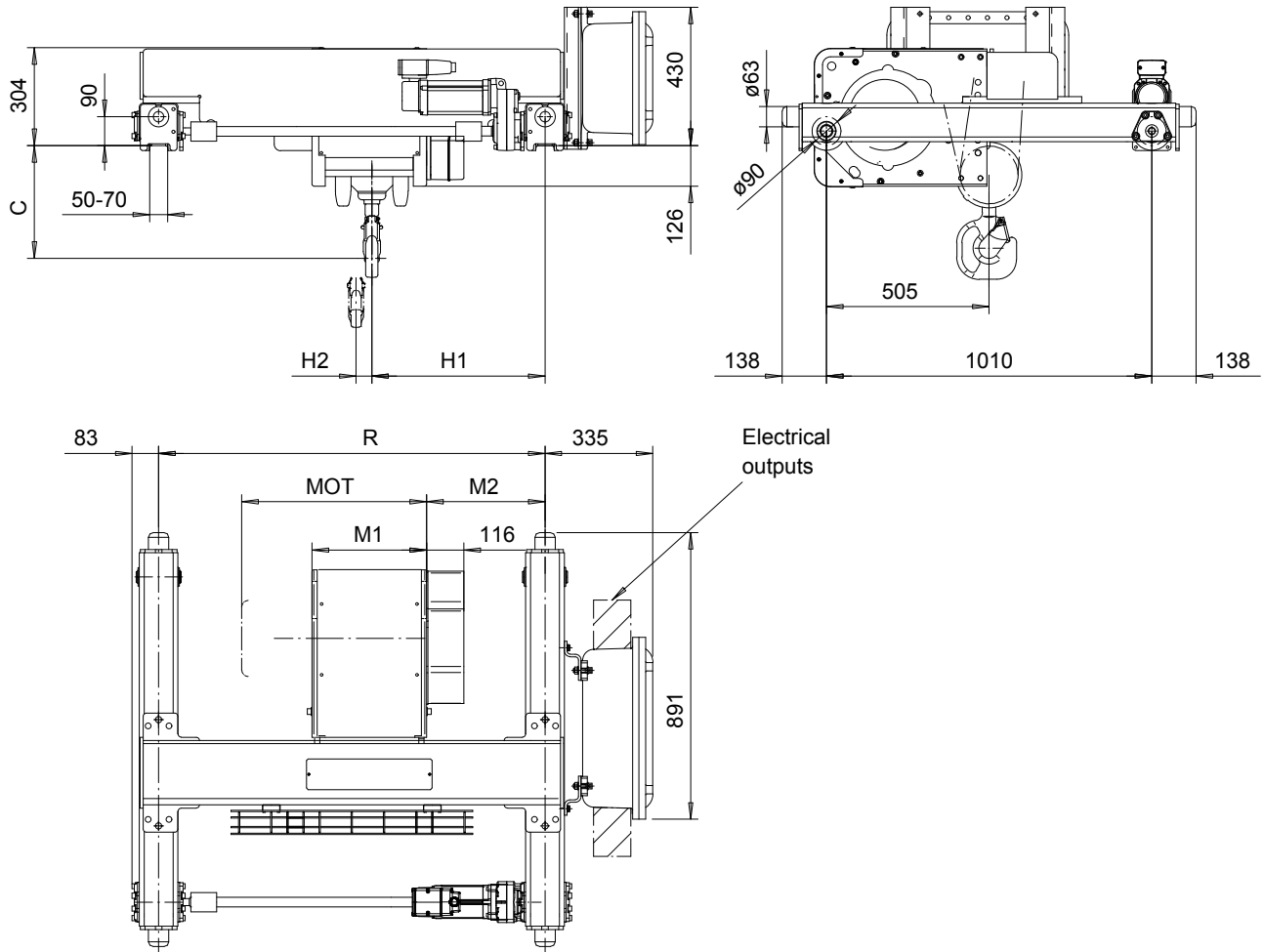


R&M SPACEMASTER EX

DOUBLE GIRDER, 4 PART SINGLE SX4 EX 041...D0



SI-60Hz

Motor	P2	P3
MOT (mm)	446	476
Weight (kg)	31	35

HOL	Length	M1	M2	H1	H2	min R	Approx Weight
(m)	code	(mm)	(mm)	(mm)	(mm)	(mm)	(kg)
6	B	356	368	537	49	1200	315
9	C	456	368	537	74	1200	325
12	D	556	468	637	99	1400	340
15	E	676	468	637	129	1400	360

Load	Class
(kg)	Fem/ISO
3200	3m/M6
4000	3m/M6
5000	2m/M5

min R is minimum rail gauge when service platform or second brake is supplied.

Standard rail gauges are 1200, 1400, 1700 and 2000