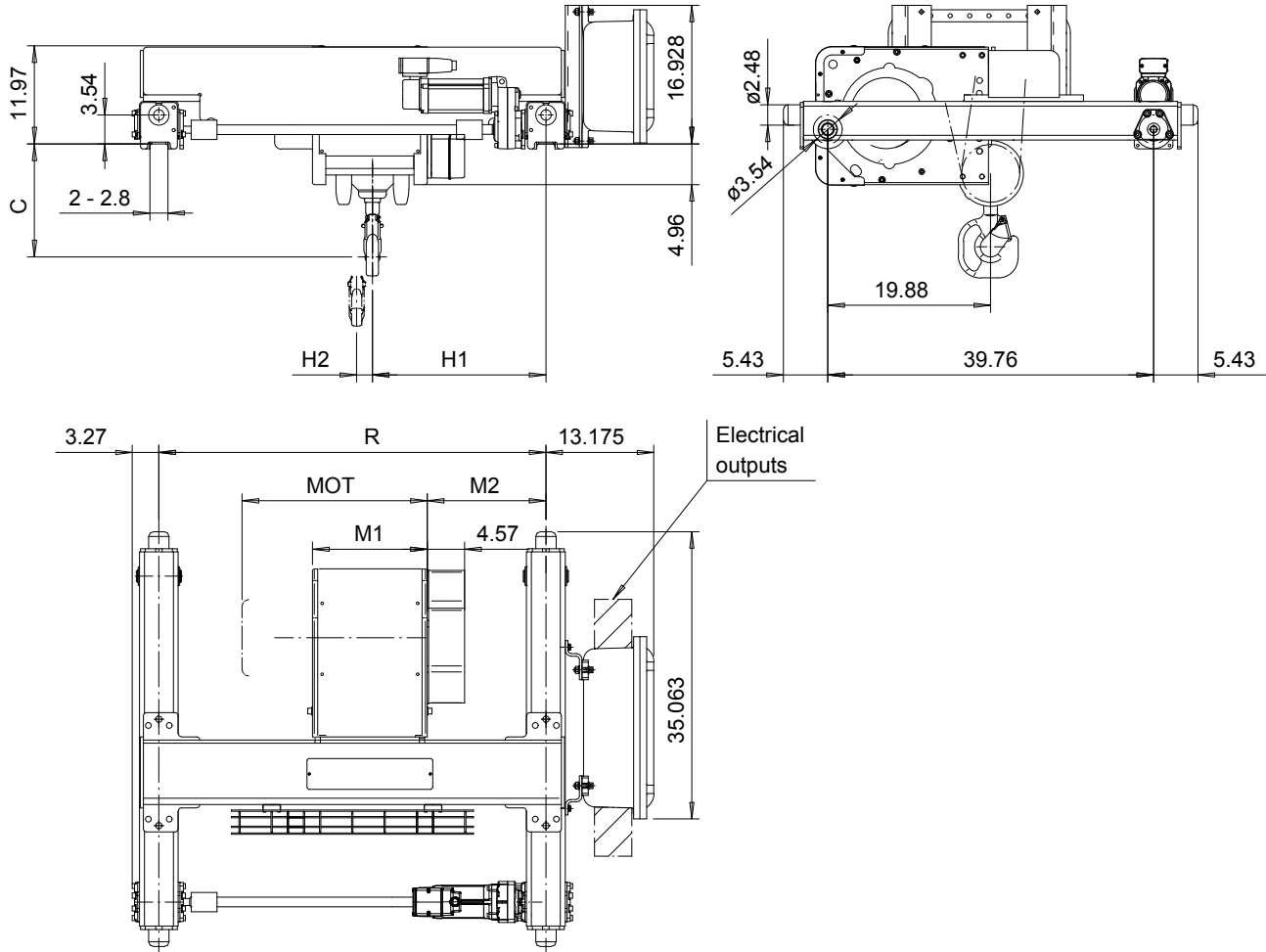


# R&M SPACEMASTER EX

## DOUBLE GIRDER, 4 PART SINGLE SX4 EX 041...D0



US-60Hz

Motor	P2	P3
MOT (in)	17.6	18.7
Weight (lb)	69	77

HOL (ft)	Length code	M1 (inch)	M2 (inch)	H1 (inch)	H2 (inch)	min R (ft)	Approx Weight (lb)
19'-8"	B	14.03	14.5	21.1	1.9	3'-11 1/4"	695
29'-6"	C	17.95	14.5	21.1	2.9	3'-11 1/4"	717
39'-4"	D	21.89	18.43	25.1	3.9	4'-7 1/8"	750
49'-3"	E	26.62	18.43	25.1	5.1	4'-7 1/8"	794

Load (TON)	Class ASME
3	H4+
4	H4+
5	H4

min R is minimum rail gauge when service platform or second brake is supplied.

Standard rail gauges are 47 1/4", 55 1/8", 66 15/16" and 78 3/4"