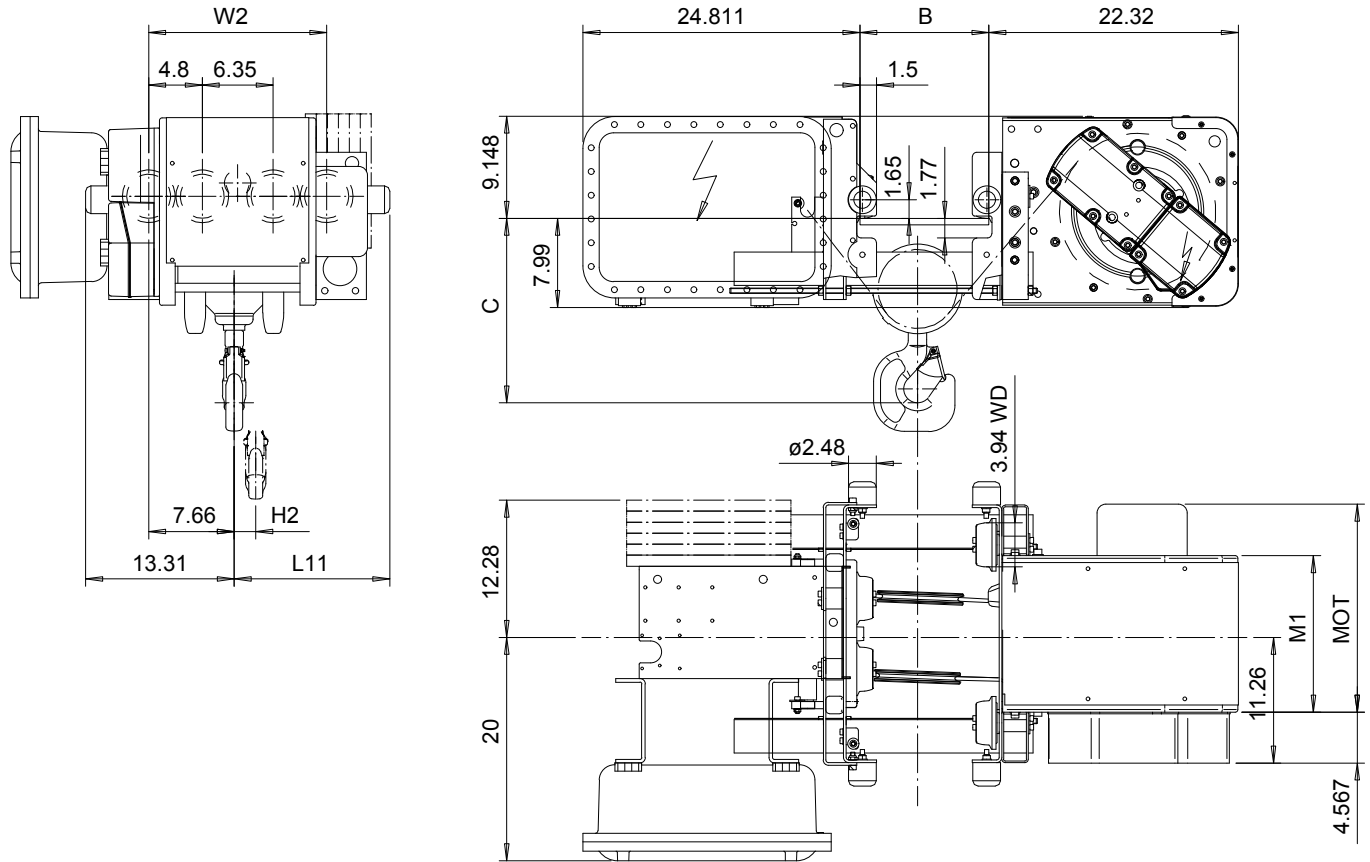


R&M SPACEMASTER EX

LOW HEADROOM, 4 PART SINGLE SX4 EX 041...L0



US-60Hz

HEADROOM TABLE	
Flange Width, B (in)	Headroom, C (in)
3.93 - 7.88	19.3
7.89 - 9.84	18.1
9.88 - 11.81	16.7
11.85 - 13.78	17.9
13.81 - 15.75	19.3
15.78 - 17.72	20.5
17.75 - 19.3	21.7
Headroom is related to the flange width	

Motor	P2	P3
MOT (in)	17.6	18.7
Weight (lb)	69	77

HOL (ft)	Length code	H2 (inch)	L11 (inch)	M1 (inch)	W2 (inch)	Approx Weight (lb)
19'-8"	B	1.92	13.62	14.03	15.94	845
29'-6"	C	2.91	17.56	17.95	19.88	889
39'-4"	D	3.89	21.5	21.89	23.81	933

Load (TON)	Class ASME
3	H4+
4	H4+
5	H4

R&M reserves the right to alter or amend the above information without notice