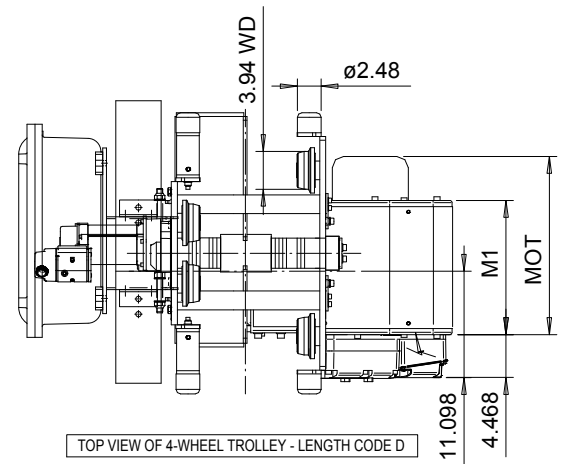
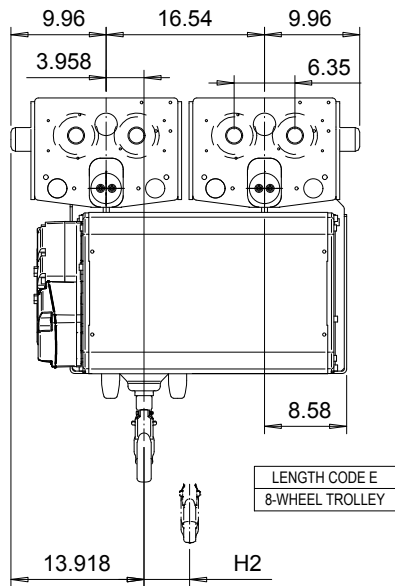
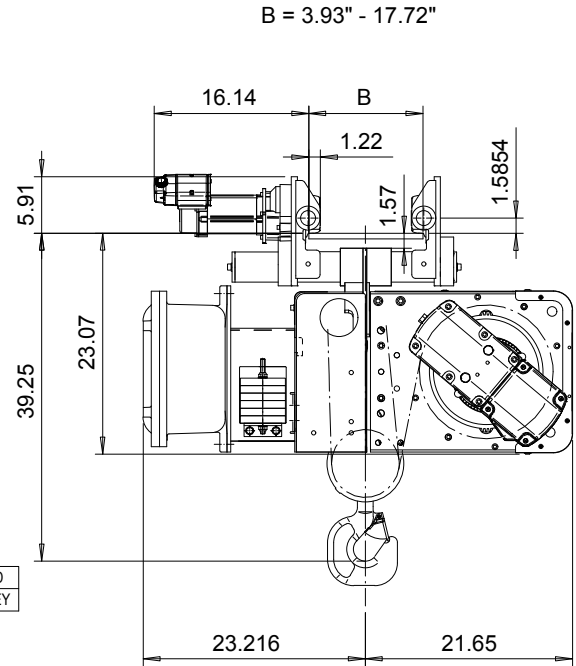
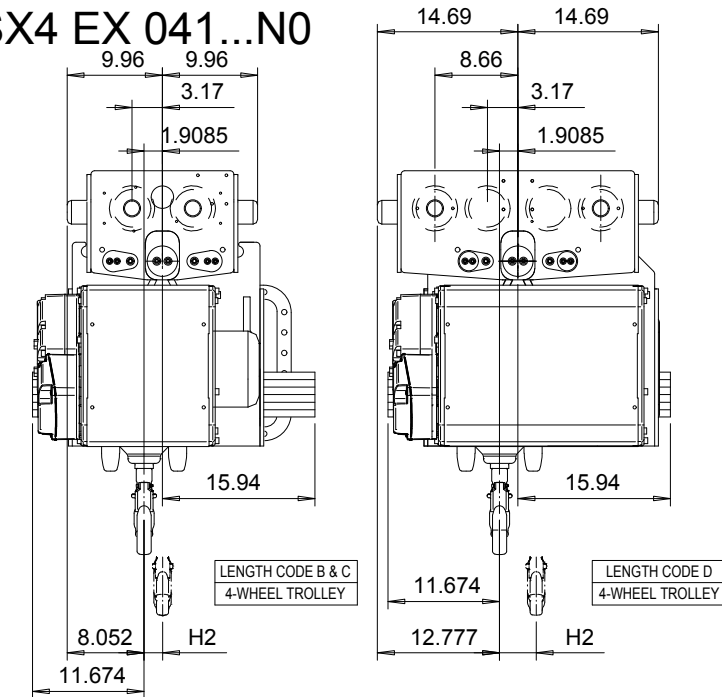


R&M SPACEMASTER EX

NORMAL HEADROOM, 4 PART SINGLE

SX4 EX 041...N0



US-60Hz

Motor	P2	P3
MOT (in)	17.6	18.7
Weight (lb)	69	77

HOL (ft)	Length code	H2 (inch)	M1 (inch)	Approx. Weight (lb)
19'-8"	B	1.92	14.03	1153
29'-6"	C	2.87	17.95	1197
39'-4"	D	3.81	21.89	1285
49'-2"	E	4.76	26.61	1307

Load (TON)	Class ASME
3	H4+
4	H4+
5	H4