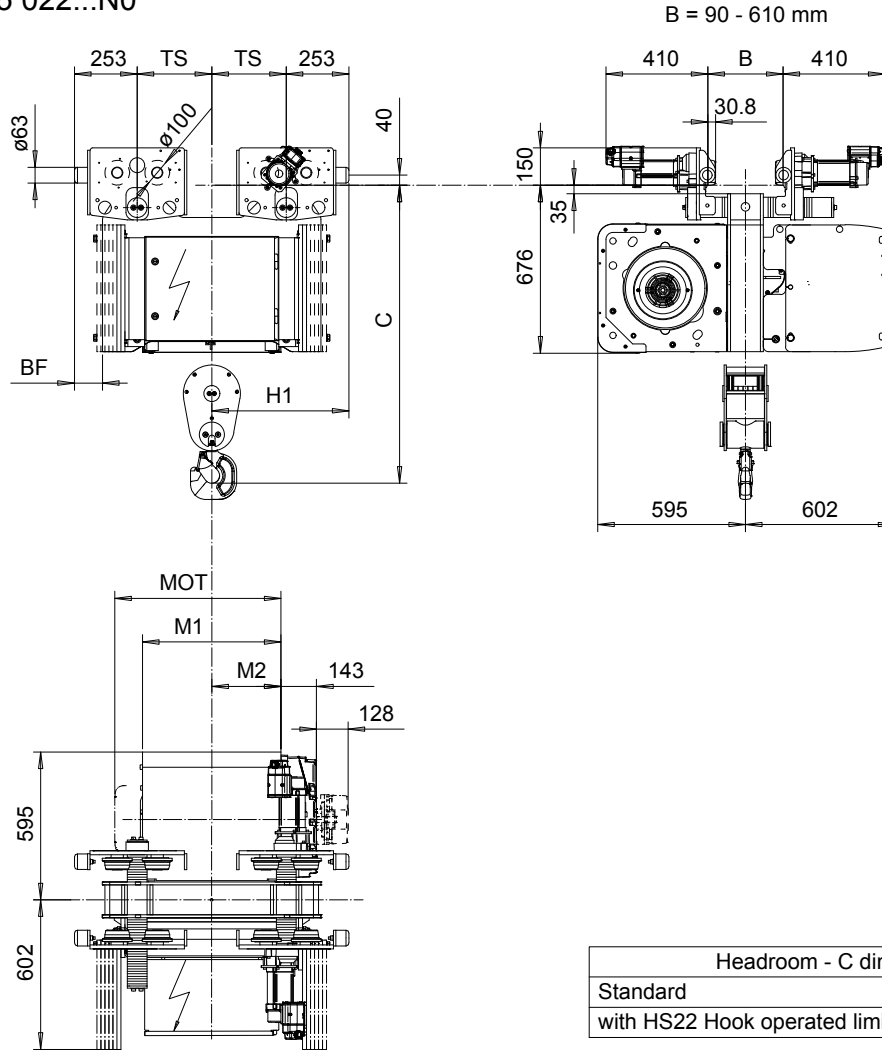


# NORMAL HEADROOM, 2 PART DOUBLE

Hoist type:

SX5 022...N0

SI-60Hz



Headroom - C dimension	
Standard	1200 mm
with HS22 Hook operated limit switch	1250 mm

Motor	P5	P6	P7	A5	S5	S7
MOT (mm)	578	578	618	498	606	757
Weight (kg)	58	85	105	45	53	81

Load (kg)	Class
	Fem/ISO
4000	3m/M6
5000	2m/M5

HOL	Length	H1	M1	M2	BF	TS	Approx. Weight
(m)	code	(mm)	(mm)	(mm)	(mm)	(mm)	(kg)
8.5	D	553	558	279	113	300	870
13	E	553	678	339	113	300	890
18	F	553	828	414	113	300	940
25	G	753	1018	509	-77	500	1085
33.5	H	753	1268	634	-77	500	1160
46	J	753	1618	809	-77	500	1245

Approx. Weight calculated with P5 motor.  
 Brake mounted on gearcase cover for Length code H and J.

This document is the absolute property of R&M Materials Handling, Inc. This document must not be copied without the written permission of R&M Materials Handling, Inc. The contents thereof must not be disclosed to a third party nor be used for any unauthorized purpose. Contravention will be prosecuted.

ETVPH Design	ETVPH Chd	Appt	Ref Drawing	QC-N-22
2005-08-26 Date	TROLLEY; NORMAL HEADROOM			1:13
SLEQDQCV Drawn (Chd)	2x2 ROPE FALLS			Folder
R&M MATERIALS HANDLING INC.	R&M MATERIALS HANDLING, INC. HOIST & CRANE PRODUCTS SPRINGFIELD, OHIO	D007219-A		Issue 1