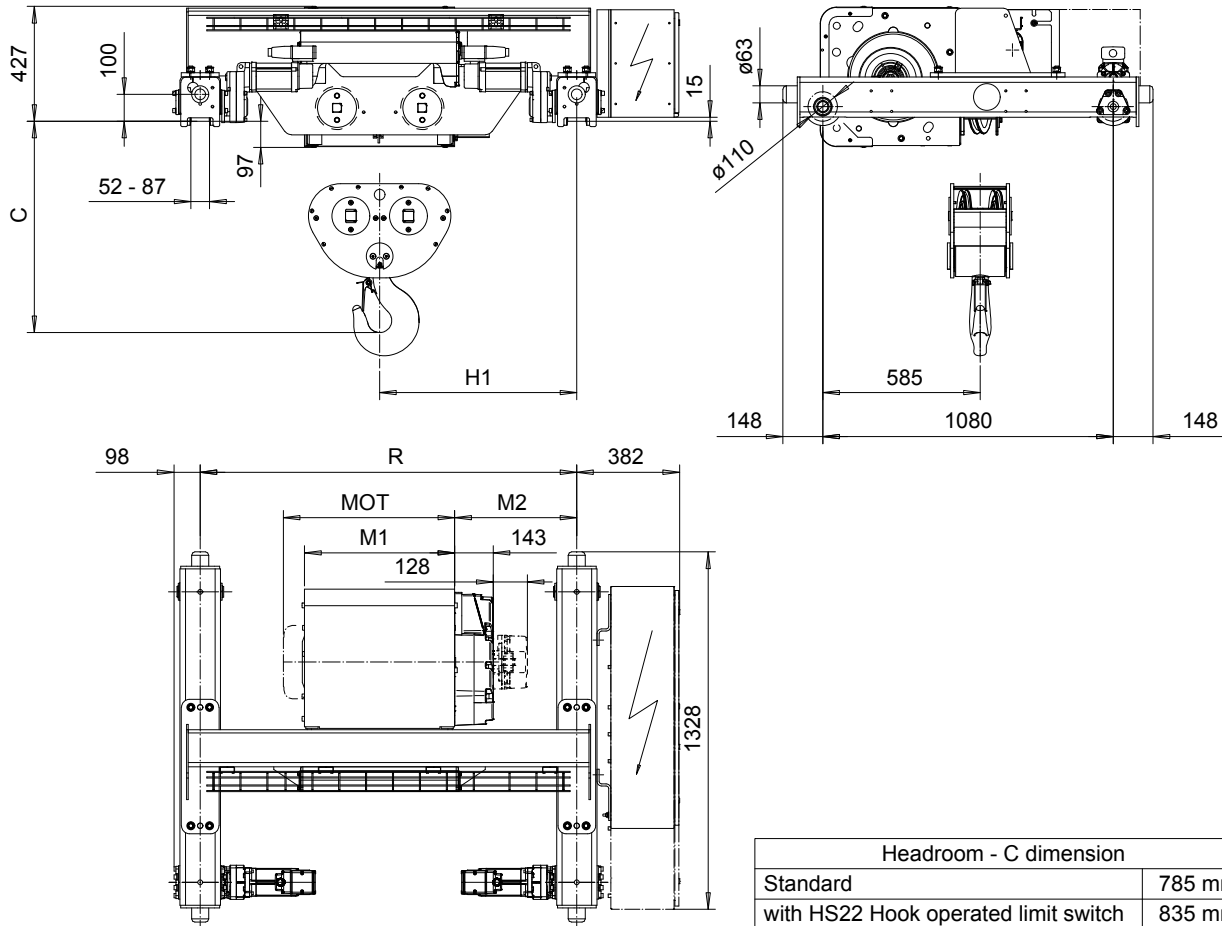


DOUBLE GIRDER, MEDIUM, 4 PART DOUBLE
Hoist type:
SX5 042...D0

SI-50Hz



Headroom - C dimension	
Standard	785 mm
with HS22 Hook operated limit switch	835 mm

Motor	P5	P6	P7	A5	S5	S7
MOT (mm)	578	578	618	498	606	757
Weight (kg)	58	85	105	45	53	81

Load (kg)	Class Fem/ISO
6300	3m/M6
8000	3m/M6
10000	2m/M5

HOL (m)	Length code	H1 (mm)	M1 (mm)	M2 (mm)	min R (mm)	Approx. Weight (kg)
4	D	733	558	454	1400	725
6.5	E	733	678	394	1400	745
9	F	883	828	469	1700	795
12.5	G	883	1018	374	1700	825
16.5	H	1033	1268	399	2000	900
23	J	1233	1618	424	2400	990

Note:
 R is standard gauge, minimum gauge with second brake or service platform
 Primary brake is mounted on gearcase for drum lengths H and J
 Standard rail gauge increments: 1400, 1700, 2000, and 2400 mm
 Approx. Weight calculated with P5 motor.

This document is the absolute property of R&M Materials Handling, Inc. This document must not be copied without the written permission of R&M Materials Handling, Inc. The contents thereof must not be disclosed to a third party nor be used for any unauthorized purpose. Contravention will be prosecuted.

ETTPAL Design	ETTPAL Chd	Appd	Ref Drawing	QC-M-24
2002-08-30 Date	TROLLEY; DOUBLE GIRDER			1 / 12 Folder
SLEQDQCV Owner Dept	MEDIUM, 2x4 ROPE FALLS			
R&M MATERIALS HANDLING INC.	R&M MATERIALS HANDLING, INC HOIST & CRANE PRODUCTS SPRINGFIELD, OHIO	D007172-A		Issue 2