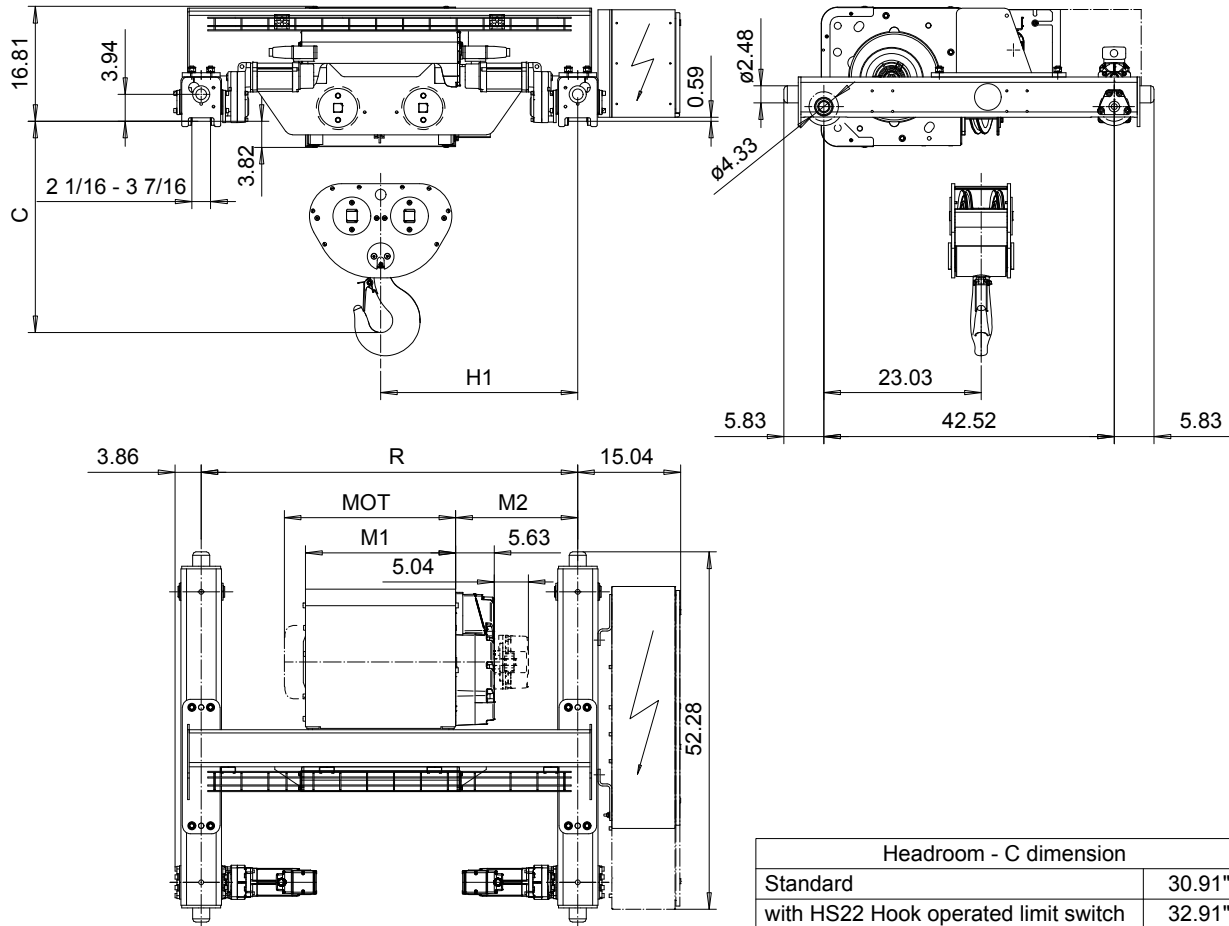


DOUBLE GIRDER, MEDIUM, 4 PART DOUBLE
Hoist type:
SX5 042...D0

US-60Hz



Motor	P5	P6	P7	A5	S5	S7
MOT (in)	22.76	22.76	24.33	19.61	23.86	29.8
Weight (lb)	128	187	231	99	117	179

Load (TON)	Class
6	H4+
7 1/2	H4+
10	H4

HOL (ft)	Length code	H1 (inch)	M1 (inch)	M2 (inch)	R (inch)	Approx. Weight (lb)
13'-1"	D	28.86	21.97	17.87	55.12	1598
21'-3"	E	28.86	26.69	15.51	55.12	1642
29'-6"	F	34.76	32.6	18.46	66.93	1753
41'-0"	G	34.76	40.08	14.72	66.93	1819
54'-1"	H	40.67	49.92	15.71	78.74	1984
75'-5"	J	48.54	63.7	16.69	94.49	2183

Note:
 R is standard gauge, minimum gauge with second brake or service platform
 Primary brake is mounted on gearcase for drum lengths H and J
 Standard rail gauge increments: 4'-7 1/8", 5'-6 7/8", 6'-6 3/4", 7'-10 1/2"
 Approx. Weight calculated with P5 motor.

This document is the absolute property of R&M Materials Handling, Inc. This document must not be copied without the written permission of R&M Materials Handling, Inc. The contents thereof must not be disclosed to a third party nor be used for any unauthorized purpose. Contravention will be prosecuted.

ETTPAL Design 2002-08-30 Date SLEQDQCV Owner Dept	ETTPAL Chd Appt Ref Drawing	QC-M-24
TROLLEY; DOUBLE GIRDER MEDIUM, 2x4 ROPE FALLS		1 of 12 Folder
R&M MATERIALS HANDLING INC.	R&M MATERIALS HANDLING, INC. HOIST & CRANE PRODUCTS SPRINGFIELD, OHIO	D007172-A Issue 2