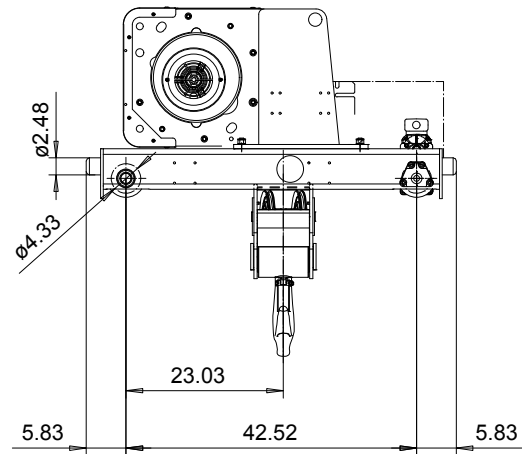
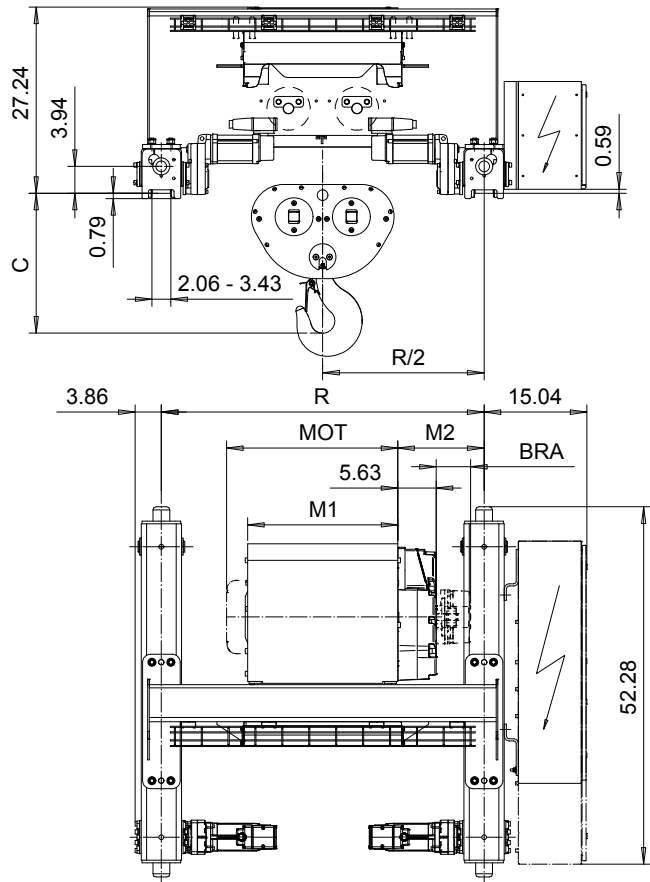


DOUBLE GIRDER, HIGH CLEARANCE, 4 PART DOUBLE Hoist type:
SX5 042...DH

US-60Hz



| | | | | | | |
|-------------|-------|-------|-------|-------|-------|------|
| Motor | P5 | P6 | P7 | A5 | S5 | S7 |
| MOT (in) | 22.76 | 22.76 | 24.33 | 19.61 | 23.86 | 29.8 |
| Weight (lb) | 128 | 187 | 231 | 99 | 117 | 179 |

| HOL (ft) | Length code | M1 (inch) | M2 (inch) | BRA (inch) | Min R | Approx Weight (lb) |
|----------|-------------|-----------|-----------|------------|------------|--------------------|
| 13'-1" | D | 21.97 | 15.87 | - | 3'-11 1/4" | 1631 |
| 21'-3" | E | 26.69 | 15.87 | - | 3'-11 1/4" | 1676 |
| 29'-6" | F | 32.6 | 20.31 | - | 4'-7 1/8" | 1764 |
| 41'-0" | G | 40.08 | 26.22 | - | 5'-6 7/8" | 1874 |
| 54'-1" | H | 49.93 | 8.5 | 5.63 | 5'-6 7/8" | 1995 |
| 75'-5" | J | 63.7 | 16.69 | 5.63 | 7'-10 1/2" | 2238 |

| Load (ton) | Class ASME |
|------------|------------|
| 5 | H4+ |
| 6 | H4+ |
| 7 1/2 | H4+ |
| 10 | H4 |

| Headroom - C dimension | |
|--------------------------------------|-------|
| Standard | 20.5" |
| with HS22 Hook operated limit switch | 22.5" |

Note: Brake mounted to gearcase for Length code H & J
 Standard rail gauges are 3'-11 1/4", 4'-7 1/8", 5'-6 7/8", 6'-6 3/4", and 7'-10 1/2"
 Approx weight calculated with P5 motor and Min R
 M2 calculated with Min R.

This document is the absolute property of R&M Materials Handling, Inc. This document must not be copied without the written permission of R&M Materials Handling, Inc. The contents thereof must not be disclosed to a third party nor be used for any unauthorized purpose. Contravention will be prosecuted.

| | | | | |
|-----------------------------|--|-----------|-------------|---------|
| ETTPAL Design | ETTPAL Chd | Appd | Ref Drawing | QC-H-24 |
| 2002-08-29 Date | TROLLEY; DOUBLE GIRDER | | | 1:12 |
| SLEQDQCV Owner Dept | HIGH, 2x4 ROPE FALLS | | | Folder |
| R&M MATERIALS HANDLING INC. | R&M MATERIALS HANDLING, INC HOIST & CRANE PRODUCTS SPRINGFIELD, OHIO | D007183-A | | Issue 3 |