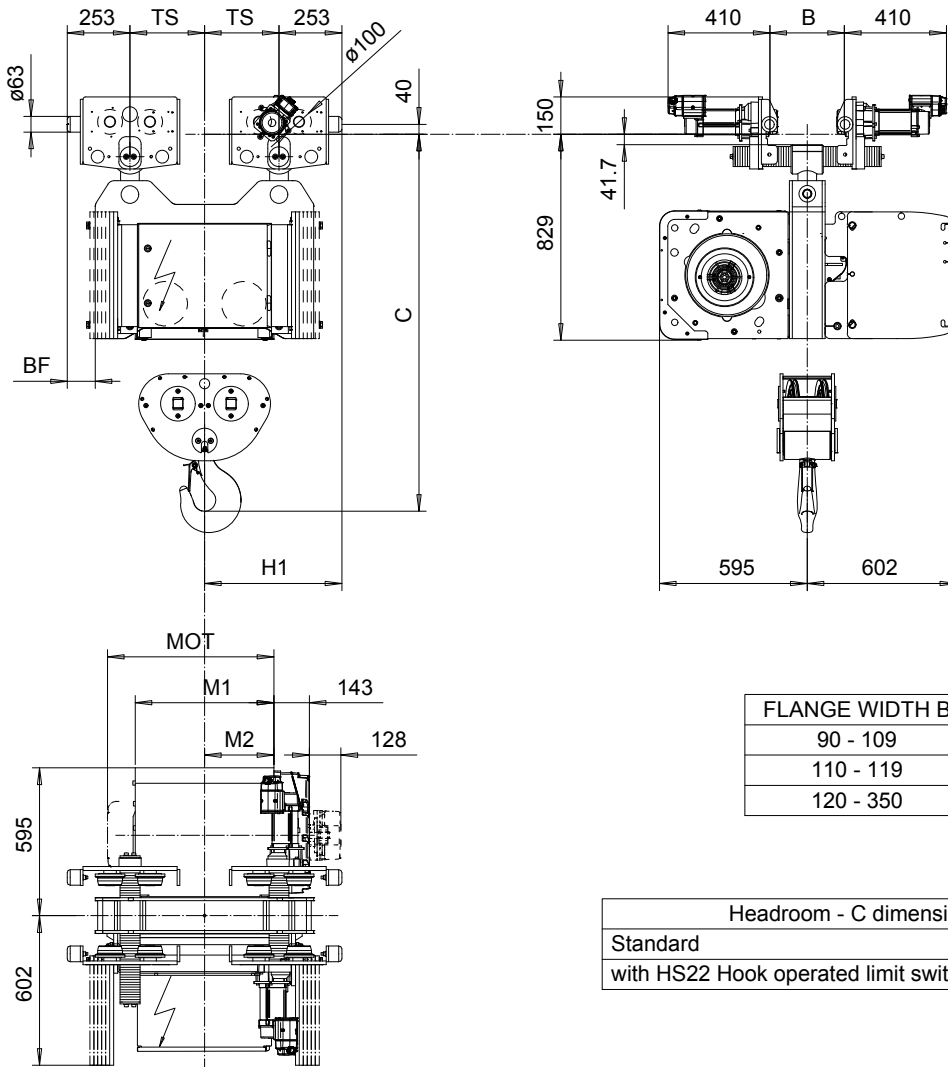


NORMAL HEADROOM, CURVED TRACK, 4 PART DOUBLE

Hoist type:

SX5 042...N0

SI-60Hz



FLANGE WIDTH B	R min
90 - 109	2500
110 - 119	2000
120 - 350	1500

Headroom - C dimension	
Standard	1518 mm
with HS22 Hook operated limit switch	1568 mm

Motor	P5	P6	P7	A5	S5	S7
MOT (mm)	578	578	618	498	606	757
Weight (kg)	58	85	105	45	53	81

Load (kg)	Class Fem/ISO
6300	3m/M6
8000	3m/M6
10000	2m/M5

HOL (m)	Length code	H1 (mm)	M1 (mm)	M2 (mm)	BF (mm)	TS (mm)	Approx. Weight (kg)
4	D	553	558	279	113	300	980
6.5	E	553	678	339	113	300	1025
9	F	553	828	414	113	300	1075
12.5	G	753	1018	509	-77	500	1220
16.5	H	753	1268	634	-77	500	1295
23	J	753	1618	809	-77	500	1405

Approx. Weight calculated with P5 motor.

This document is the absolute property of R&M Materials Handling, Inc. This document must not be copied without the written permission of R&M Materials Handling, Inc. The contents thereof must not be disclosed to a third party nor be used for any unauthorized purpose. Contravention will be prosecuted.

ETVPH Design	ETVPH Chd	Appt	Ref Drawing	QC-N-24
2005-08-26 Date	TROLLEY; NORMAL HEADROOM			1:13
SLEQDQCV Drawn (App)	CURVED TRACK, 2x4 ROPE FALLS			Folder
R&M MATERIALS HANDLING INC.	R&M MATERIALS HANDLING, INC HOIST & CRANE PRODUCTS SPRINGFIELD, OHIO	D007222-A		Issue 1