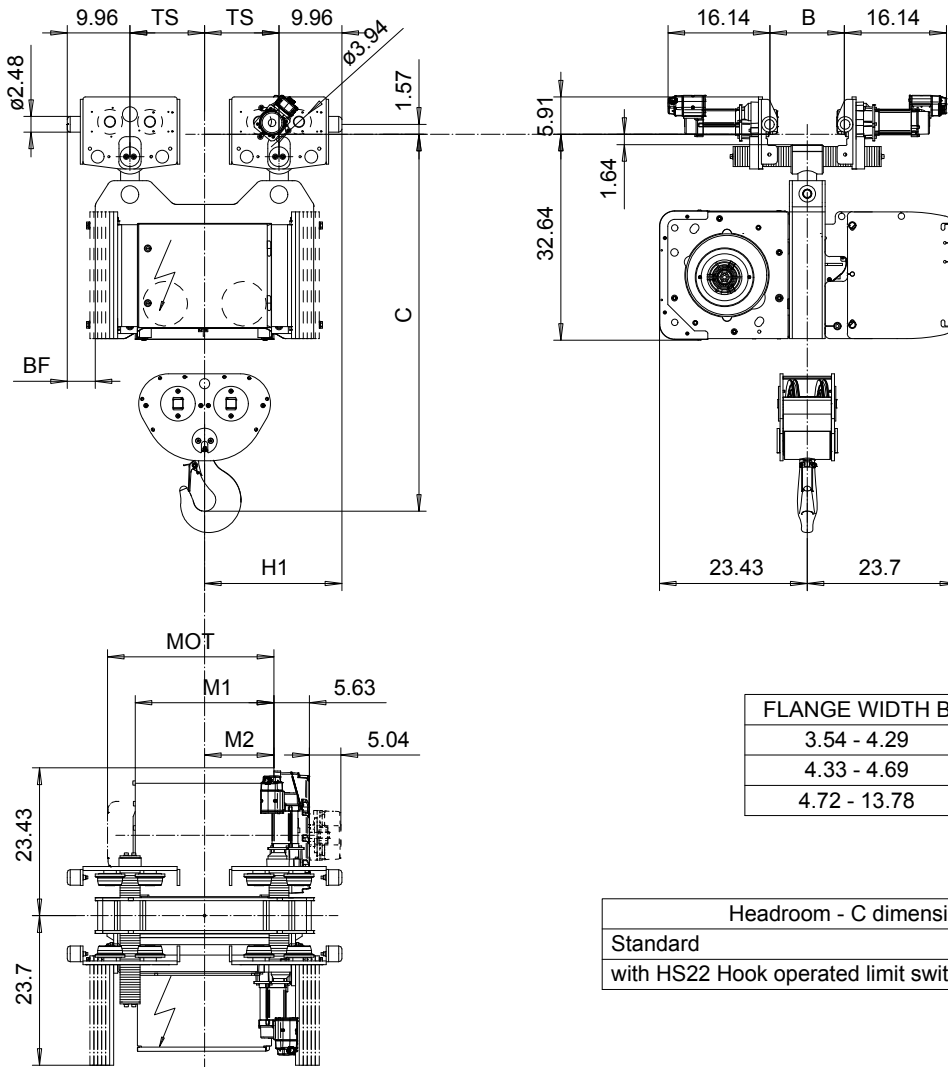


NORMAL HEADROOM, CURVED TRACK, 4 PART DOUBLE

Hoist type:

SX5 042...N0

US-60Hz



FLANGE WIDTH B	R min
3.54 - 4.29	8'-2 1/2"
4.33 - 4.69	6'-6 3/4"
4.72 - 13.78	4'-11 1/16"

Headroom - C dimension	
Standard	59.76"
with HS22 Hook operated limit switch	61.76"

Motor	P5	P6	P7	A5	S5	S7
MOT (in)	22.76	22.76	24.33	19.61	23.86	29.8
Weight (lb)	128	187	231	99	117	179

Load (TON)	Class ASME
6	H4+
7 1/2	H4+
10	H4

HOL (ft)	Length code	H1 (inch)	M1 (inch)	M2 (inch)	BF (inch)	TS (inch)	Approx. Weight (lb)
13'-1"	D	21.77	21.97	10.98	4.49	11.81	2161
21'-3"	E	21.77	26.69	13.35	4.49	11.81	2260
29'-6"	F	21.77	32.6	16.3	4.49	11.81	2370
41'-0"	G	29.65	40.08	20.04	-3.03	19.69	2690
54'-1"	H	29.65	49.92	24.96	-3.03	19.69	2855
75'-5"	J	29.65	63.7	31.85	-3.03	19.69	3097

Approx. Weight calculated with P5 motor.

This document is the absolute property of R&M Materials Handling, Inc. This document must not be copied without the written permission of R&M Materials Handling, Inc. The contents thereof must not be disclosed to a third party nor be used for any unauthorized purpose. Contravention will be prosecuted.

ETVPH Design	ETVPH Cnd	Appt	Ref Drawing	QC-N-24
2005-08-26 Date	TROLLEY; NORMAL HEADROOM			1:13
SLEQDQCV Drawn (Dept)	CURVED TRACK, 2x4 ROPE FALLS			Folder
R&M MATERIALS HANDLING INC.	R&M MATERIALS HANDLING, INC HOIST & CRANE PRODUCTS SPRINGFIELD, OHIO	D007222-A		Issue 1