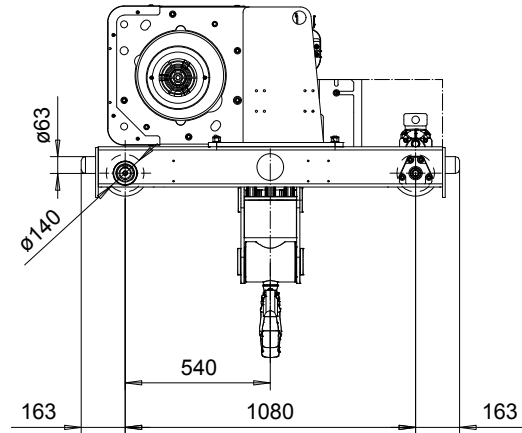
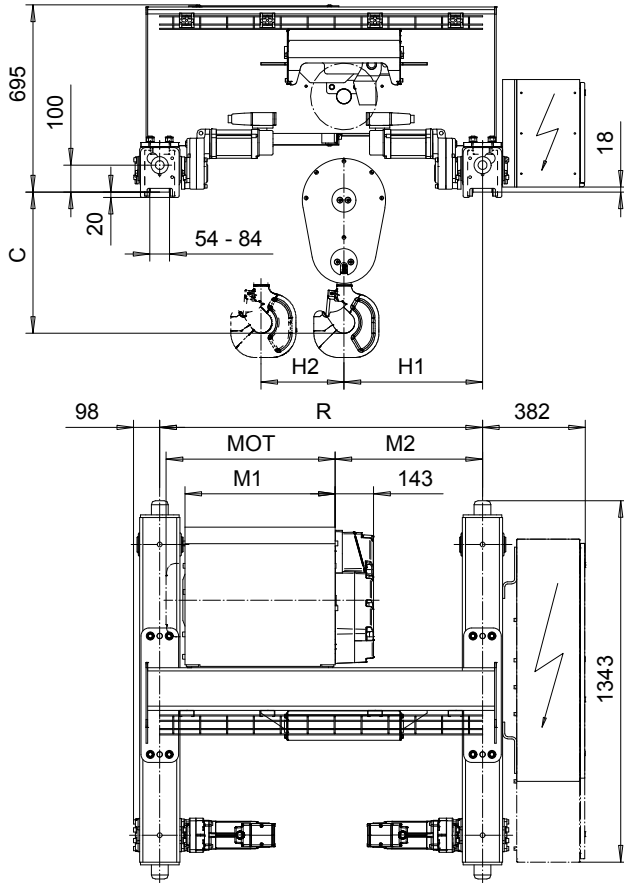


**DOUBLE GIRDER, HIGH CLEARANCE, 6 PART SINGLE**  
**Hoist type:**  
**SX5 061...DH**

SI-50Hz



Motor	P5	P6	P7	A5	S5	S7
MOT (mm)	578	578	618	498	606	757
Weight (kg)	58	85	105	45	53	81

HOL	Length	M1	M2	H1	H2	Min R	Approx Weight
(m)	code	(mm)	(mm)	(mm)	(mm)	(mm)	(kg)
6	D	558	548	515	53	1200	765
8	E	678	628	595	78	1400	800
10	F	828	778	745	98	1700	850
13	G	1018	888	855	132	2000	905

Load	Class
(kg)	Fem/ISO
12000	3m/M6
15000	2m/M5

Headroom - C dimension	
Standard	525 mm
with HS22 Hook operated limit switch	575 mm

**Note:**

Standard rail gauges are 1200, 1400, 1700, 2000, and 2400 mm

Approx weight calculated with P5 motor and Min R

M2 and H1 calculated with Min R.

This document is the absolute property of R&M Materials Handling, Inc. This document must not be copied without the written permission of R&M Materials Handling, Inc. The contents thereof must not be disclosed to a third party nor be used for any unauthorized purpose. Contravention will be prosecuted.

ETTPAL Design	ETTPAL Ctd	Appd	Ref Drawing	QC-H-06
2002-08-29 Date	TROLLEY; DOUBLE GIRDER			1:12
SLEQDQCV Owner Dept	HIGH, 6 ROPE FALLS			Folder
R&M MATERIALS HANDLING INC.	R&M MATERIALS HANDLING, INC. HOIST & CRANE PRODUCTS SPRINGFIELD, OHIO	D007196-A		Issue 2