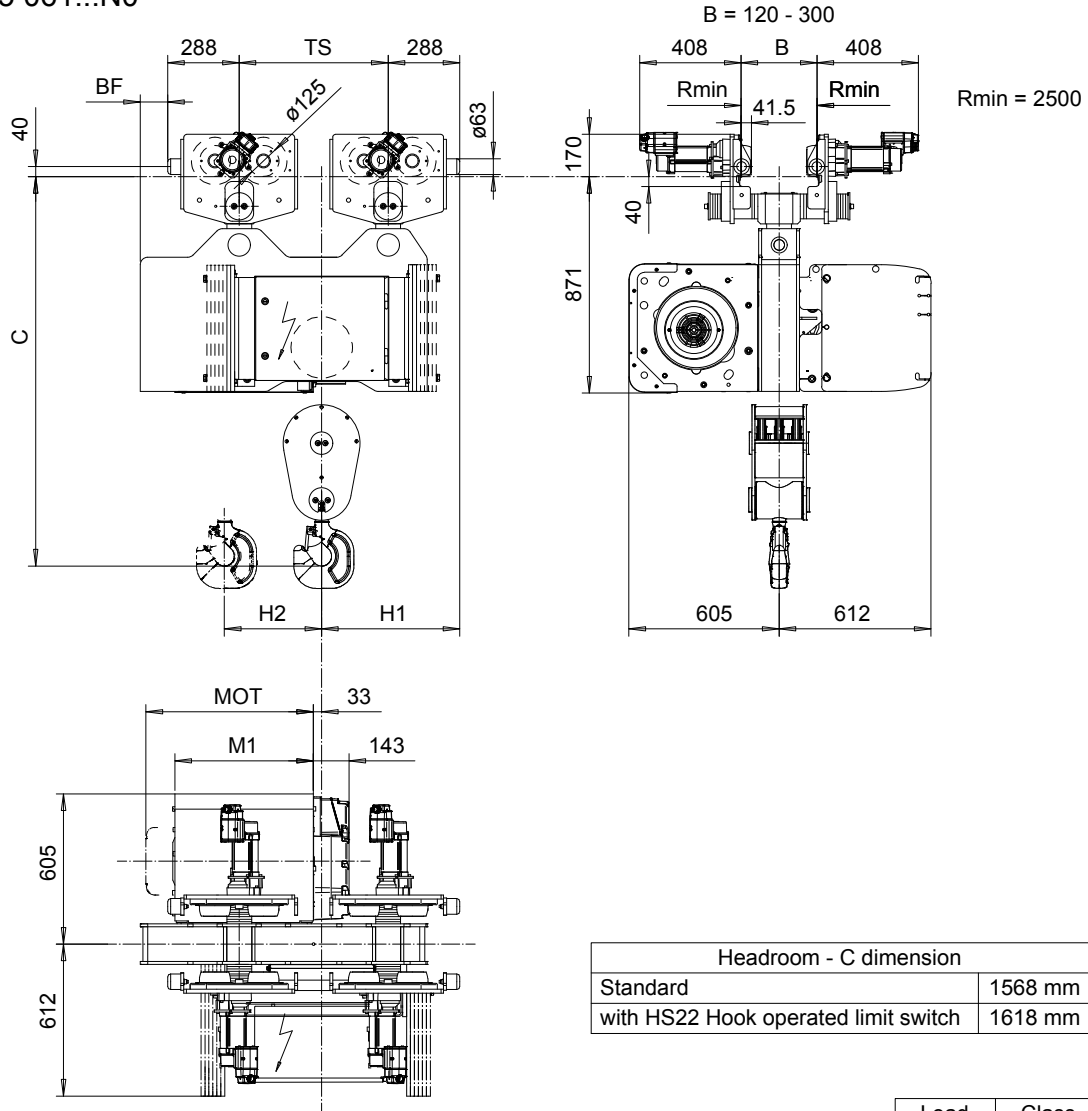


# NORMAL HEADROOM, CURVED TRACK, 6 PART SINGLE

Hoist type:

SX5 061...N0

SI-50Hz



Headroom - C dimension	
Standard	1568 mm
with HS22 Hook operated limit switch	1618 mm

Load (kg)	Class Fem/ISO
12000	3m/M6
15000	2m/M5

Motor	P5	P6	P7	A5	S5	S7
MOT (mm)	578	578	618	498	606	757
Weight (kg)	58	85	105	45	53	81

HOL (m)	Length code	M1 (mm)	BF (mm)	TS (mm)	H1 (mm)	H2 (mm)	Approx. Weight (kg)
6	D	558	110	600	556	53	1110
8	E	678	110	600	556	78	1155
10	F	828	370	720	596	98	1245
13	G	1018	370	720	596	132	1300

Approx. Weight calculated with P5 motor.

This document is the absolute property of R&M Materials Handling, Inc. This document must not be copied without the written permission of R&M Materials Handling, Inc. The contents thereof must not be disclosed to a third party nor be used for any unauthorized purpose. Contravention will be prosecuted.

ETVPH	ETVPH	Appr.	Ref Drawing	QC-N-06
Design	TROLLEY; NORMAL HEADROOM			
Date	2005-08-26			
SLEQDQCV	CURVED TRACK, 6 ROPE FALLS			
Drawn (Date)	1:13			
R&M MATERIALS HANDLING INC.	R&M MATERIALS HANDLING, INC. HOIST & CRANE PRODUCTS SPRINGFIELD, OHIO			Folder
	D007207-A			Issue
				1