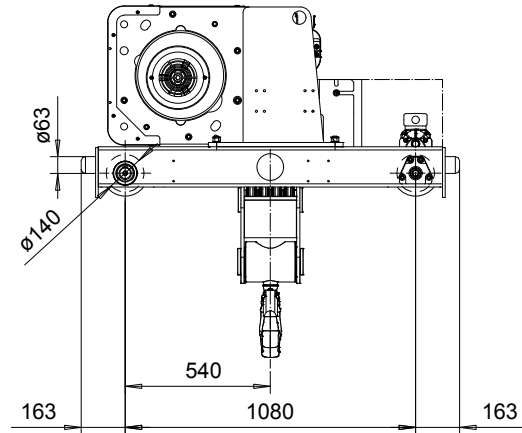
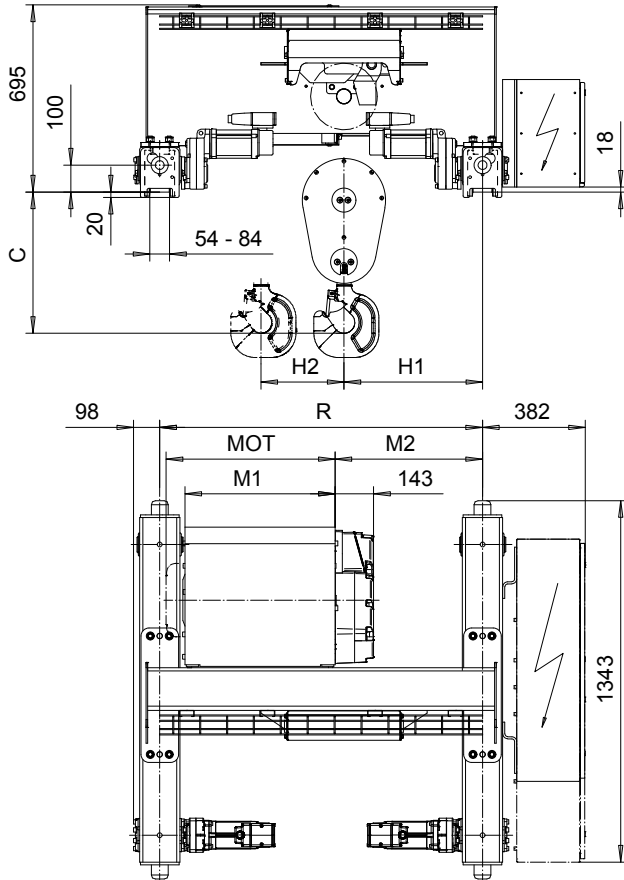


DOUBLE GIRDER, HIGH CLEARANCE, 8 PART SINGLE
Hoist type:
SX5 081...DH

SI-50Hz



Motor	P5	P6	P7	A5	S5	S7
MOT (mm)	578	578	618	498	606	757
Weight (kg)	58	85	105	45	53	81

HOL	Length	M1	M2	H1	H2	Min R	Approx Weight
(m)	code	(mm)	(mm)	(mm)	(mm)	(mm)	(kg)
4.5	D	558	548	515	44	1200	780
6	E	678	628	595	53	1400	815
8	F	828	778	745	76	1700	865
10	G	1018	888	855	98	2000	915

Load	Class
(kg)	Fem/ISO
16000	2m/M5
20000	1Am/M4

Headroom - C dimension	
Standard	525 mm
with HS22 Hook operated limit switch	575 mm

Note:
 Standard rail gauges are 1200, 1400, 1700, 2000, and 2400 mm
 Approx weight calculated with P5 motor and Min R
 M2 and H1 calculated with Min R.

This document is the absolute property of R&M Materials Handling, Inc. This document must not be copied without the written permission of R&M Materials Handling, Inc. The contents thereof must not be disclosed to a third party nor be used for any unauthorized purpose. Contravention will be prosecuted.

ETTPAL Design	ETTPAL Chd	Appd	Ref Drawing	QC-H-08
2002-08-29 Date	TROLLEY; DOUBLE GIRDER			1:12
SLEQDQCV Owner Dept	HIGH, 8 ROPE FALLS			Folder
R&M MATERIALS HANDLING INC.	R&M MATERIALS HANDLING, INC. HOIST & CRANE PRODUCTS SPRINGFIELD, OHIO	D007197-A		Issue 2