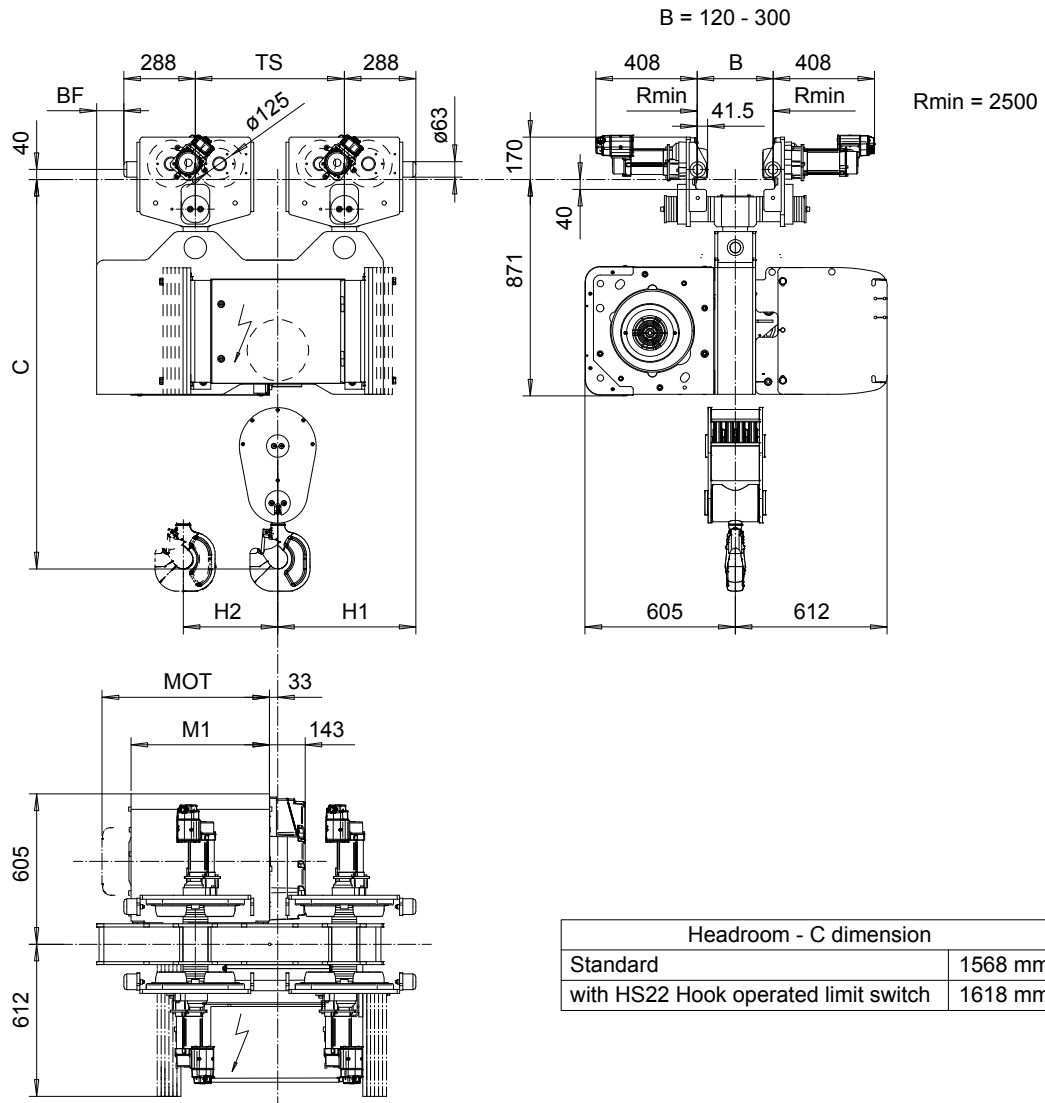


NORMAL HEADROOM, CURVED TRACK, 8 PART SINGLE

Hoist type:

SX5 081...N0

SI-60Hz



Motor	P5	P6	P7	A5	S5	S7
MOT (mm)	578	578	618	498	606	757
Weight (kg)	58	85	105	45	53	81

Load (kg)	Class Fem/ISO
16000	2m/M5
20000	1Am/M4

HOL (m)	Length code	M1 (mm)	BF (mm)	TS (mm)	H1 (mm)	H2 (mm)	Approx. Weight (kg)
4.5	D	558	110	600	556	44	1120
6	E	678	110	600	556	53	1170
8	F	828	370	720	596	76	1260
10	G	1018	370	720	596	98	1315

Approx. Weight calculated with P5 motor.

This document is the absolute property of R&M Materials Handling, Inc. This document must not be copied without the written permission of R&M Materials Handling, Inc. The contents thereof must not be disclosed to a third party nor be used for any unauthorized purpose. Contravention will be prosecuted.

ETVPH Design	ETVPH Chk	Appt	Ref Drawing	QC-N-08
2005-08-26 Date	TROLLEY; NORMAL HEADROOM			1:13
SLEQOOCV Owner/Dept	CURVED TRACK, 8 ROPE FALLS			Folder
R&M MATERIALS HANDLING INC.	R&M MATERIALS HANDLING, INC HOIST & CRANE PRODUCTS SPRINGFIELD, OHIO			Issue 1
D007209-A				