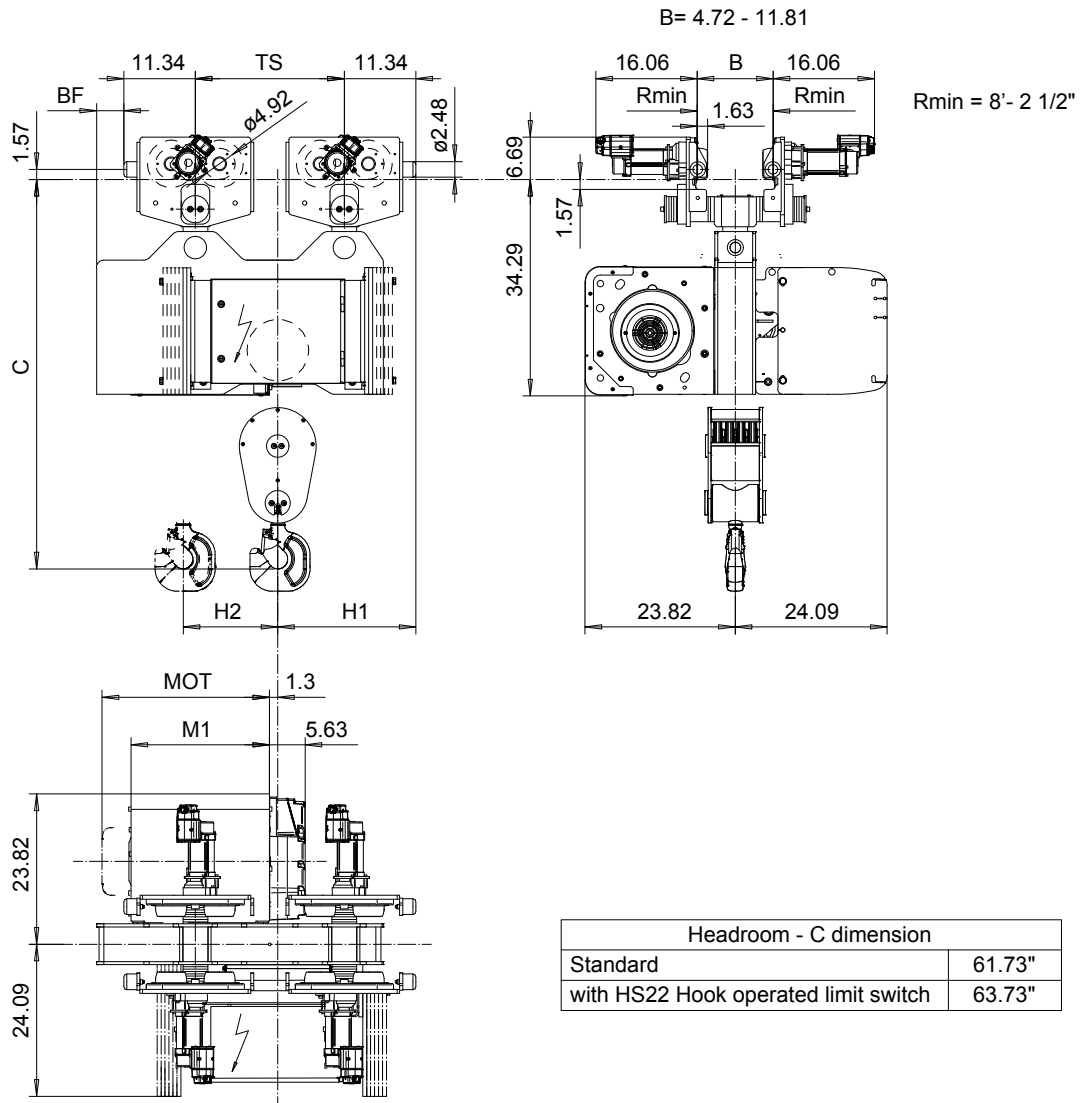


NORMAL HEADROOM, CURVED TRACK, 8 PART SINGLE

Hoist type:

SX5 081...N0

US-60Hz



Headroom - C dimension	
Standard	61.73"
with HS22 Hook operated limit switch	63.73"

Motor	P5	P6	P7	A5	S5	S7
MOT (in)	22.76	22.76	24.33	19.61	23.86	29.8
Weight (lb)	128	187	231	99	117	179

Load (TON)	Class ASME
15	H4
20	H3

HOL	Length code	M1 (inch)	BF (inch)	TS (inch)	H1 (inch)	H2 (inch)	Approx. Weight (lb)
14'-9"	D	21.97	4.33	23.62	21.89	1.73	2469
19'-8"	E	26.69	4.33	23.62	21.89	2.2	2579
26'-2"	F	32.6	14.57	28.35	23.46	2.99	2778
32'-9"	G	40.08	14.57	28.35	23.46	3.86	2899

Approx. Weight calculated with P5 motor.

This document is the absolute property of R&M Materials Handling, Inc. This document must not be copied without the written permission of R&M Materials Handling, Inc. The contents thereof must not be disclosed to a third party nor be used for any unauthorized purpose. Contravention will be prosecuted.

ETVPH Design	ETVPH Chk	Appt	Ref Drawing	QC-N-08
2005-08-26 Date	TROLLEY; NORMAL HEADROOM			1:13
SLEQDQCV Owner/Dept	CURVED TRACK, 8 ROPE FALLS			Folder
R&M MATERIALS HANDLING INC.	R&M MATERIALS HANDLING, INC HOIST & CRANE PRODUCTS SPRINGFIELD, OHIO			Issue 1
D007209-A				