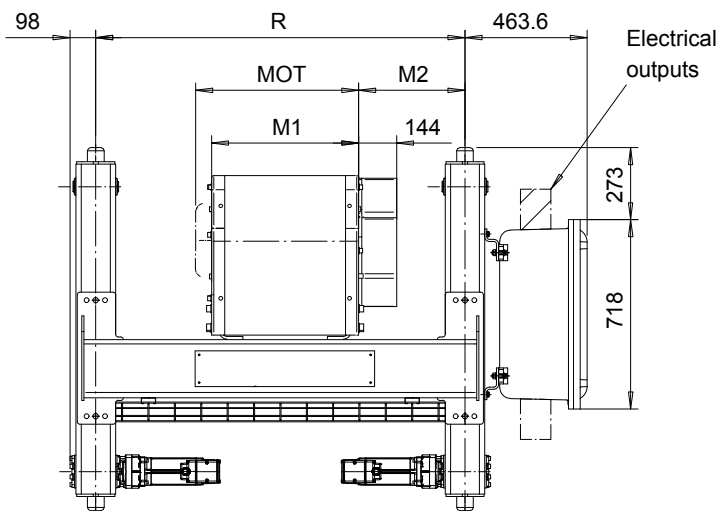
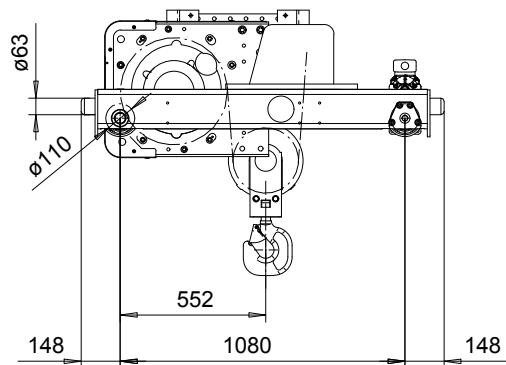
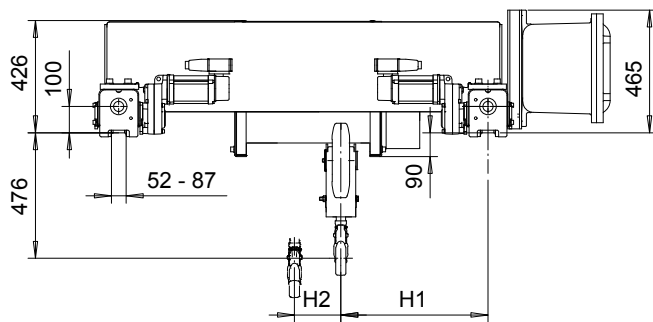


R&M SPACEMASTER EX

DOUBLE GIRDER, 2 PART SINGLE
SX5 EX 021...D0



SI-60Hz

Motor	P5	P6
MOT (mm)	578	578
Weight (kg)	58	85

HOL	Length	M1	M2	H1	H2	Min R	Approx Weight
(m)	code	(mm)	(mm)	(mm)	(mm)	(mm)	(kg)
18	D	558	403	640	176	1400	770
24	E	678	403	640	235	1400	800
32	F	828	516	753	309	1700	845
40	G	1018	666	903	403	2000	885

Load	Class
(kg)	Fem/ISO
4000	3m/M6
5000	2m/M5

min R is minimum rail gauge when service platform or second brake is supplied.
Standard rail gauges are 1400, 1700 and 2000