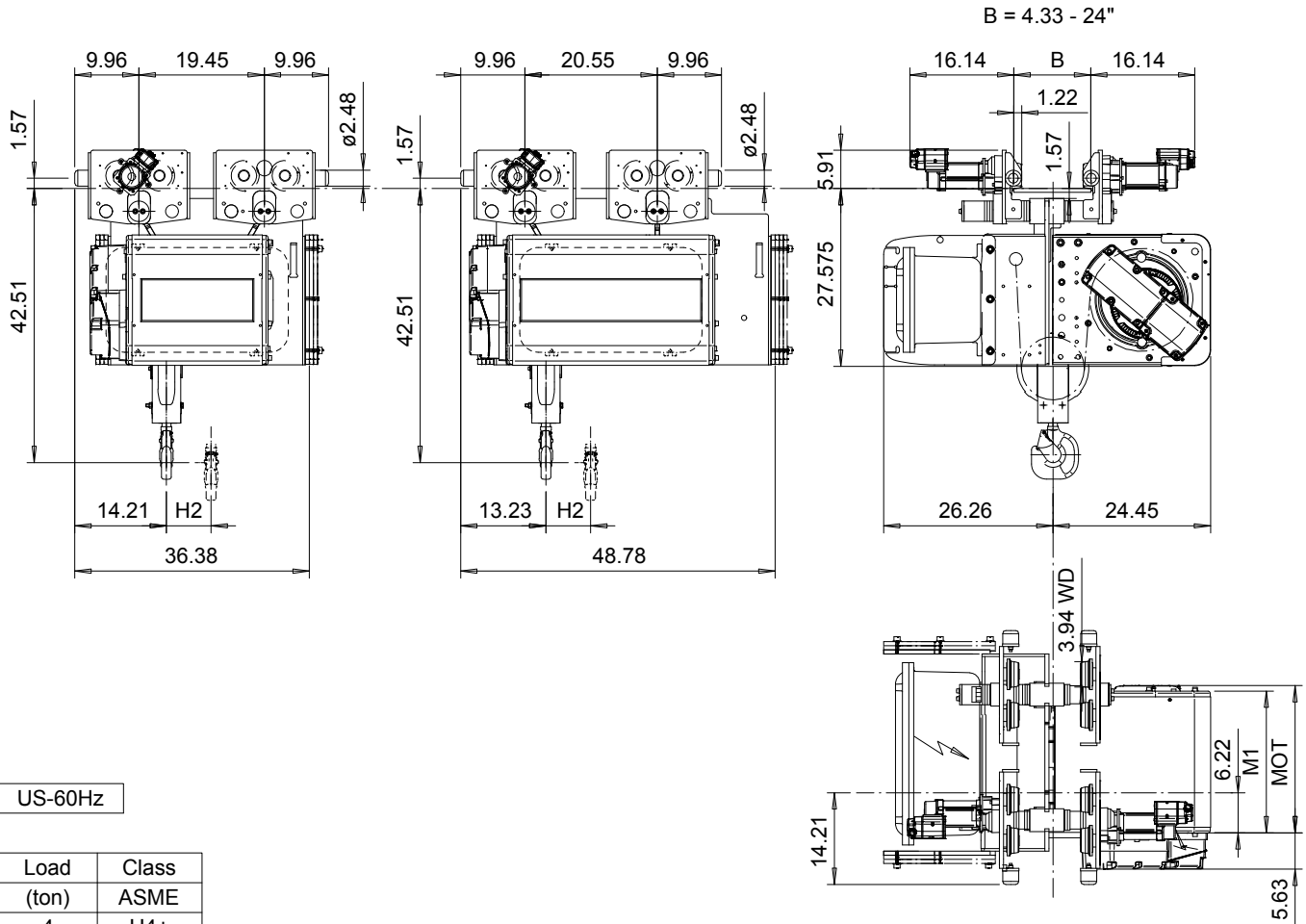


R&M SPACEMASTER EX

NORMAL HEADROOM, 2 PART SINGLE
SX5 EX 021...N0



US-60Hz

Load (ton)	Class ASME
4	H4+
5	H4

Motor	P5	P6
MOT (in)	22.76	22.76
Weight (lb)	128	187

HOL (ft)	Length code	M1 (inch)	H2 (inch)	Approx Weight (lb)
59'-0"	D	21.97	6.92	1654
78'-8"	E	26.69	9.25	1808
104'-11"	F	32.6	12.16	1984
131'-2"	G	45.55	15.86	2116